

ETHER NDE

The Eddy Current Probe & Accessories Catalogue

August 2020 - Version 7.5



Tel: +44 (0) 1582 767 912
Email: sales@ethernde.com
Web: www.ethernde.com



15820-QIMS-001

Contents

| | |
|---|----|
| Contents | 2 |
| Introduction..... | 4 |
| ETher NDE Instrument Probe Connector Details..... | 6 |
| WeldCheck – WeldCheck2 – WeldCheck+ - AeroCheck – AeroCheck2 - AeroCheck+: | 6 |
| ETi – High End Eddy Current Flaw Detector:..... | 6 |
| SigmaCheck – SigmaCheck2 Conductivity Meter: | 6 |
| EmbecEC - USB Embedded Eddy Current Solution:..... | 7 |
| Victor2.2D – Mains Powered Eddy Current Automated Inspection Instrument: | 7 |
| VeeScan Model H – Automated Eddy Current Wheel Inspection System:..... | 8 |
| Pencil Probes (Double Shielded) – Absolute/Bridge..... | 9 |
| Straight - Absolute with plastic handle coding:..... | 10 |
| Straight – Bridge (IB Tech Inside) with plastic handle coding: | 11 |
| 90deg Tip - Absolute with plastic handle coding: | 12 |
| 90deg Tip - Bridge (IB Tech Inside) with plastic handle coding: | 15 |
| 45deg Crank – Absolute with plastic handle coding: | 18 |
| 45deg Crank – Bridge (IB Tech Inside) with plastic handle coding: | 19 |
| 15deg Crank 90deg Tip - Absolute with plastic handle coding:..... | 20 |
| 15deg Crank 90deg Tip - Bridge (IB Tech Inside) with plastic handle coding:..... | 23 |
| Thread Inspection Probes (Unshielded) - Absolute | 26 |
| Pencil Type | 26 |
| Straight - External Threads (Bolts)..... | 27 |
| 90deg Crank - External and Internal Threads (Bolts and Nuts)..... | 28 |
| 65deg Crank – Internal Thread (Nuts)..... | 28 |
| Saddle and Plug - Thread Inspection Probes | 29 |
| Broad Band Probes – Absolute/Bridge | 30 |
| Rotating Probes - Reflection..... | 32 |
| Rigid Stainless Steel Coding..... | 33 |
| Delrin Flexible Coding | 35 |
| Manual Bolt Hole Probes - Absolute | 36 |
| Standard Weld Probes - Bridge..... | 38 |
| Disconnect Weld Probes - Bridge..... | 40 |
| Under Water Weld Probes - Bridge | 41 |
| High Temp Ceramic Tipped Weld Probes - Bridge..... | 42 |
| Stainless Steel Tipped Weld Probes - Bridge | 42 |
| Miniature Weld Probes - Bridge | 43 |
| Weld Probe Kits..... | 44 |
| Weld Probe Standard Kit to fit WeldCheck/AeroCheck Range: | 44 |
| Weld Probe Advanced Kit to fit WeldCheck/AeroCheck Range: | 44 |
| Internal Diameter (ID) Probes - Bridge | 45 |
| Spot Face Low Frequency Probes..... | 50 |
| Flat Surface Probes | 52 |
| Large Encircling Probes..... | 53 |
| Round Encircling Probes and Wear Guides..... | 54 |
| Square Encircling Probes and Wear Guides | 55 |
| Small Encircling Probes..... | 57 |
| VeeScan Probes – Bridge..... | 58 |
| Sliding Probes – Dual Element..... | 59 |

| | |
|---|----|
| Low Frequency Fastener Inspection Probes | 60 |
| Rail Inspection Probes | 61 |
| SigmaCheck Conductivity Probe | 62 |
| AeroCheck+ Conductivity Probe | 63 |
| Rotating Drive..... | 64 |
| Test Blocks..... | 65 |
| General Purpose with Slots | 65 |
| Weld Probe Test Block | 65 |
| Weld Probe Demo Crack Specimen | 66 |
| Rotating Probe Test Block | 67 |
| Rotating Probe Test Blocks – Multi Hole..... | 68 |
| Surface Probe Test Block..... | 68 |
| Conductivity Test Blocks..... | 69 |
| Probe Leads..... | 70 |
| Probe Adapters..... | 71 |
| Probe Tape | 72 |
| Balance Loads | 72 |
| Probe and Instrument Cases..... | 73 |
| Probe Case: | 73 |
| Protective/Splash Proof Instrument Case: | 73 |
| Instrument Soft Carry Case:..... | 74 |
| Instrument Hard Carry Case: | 74 |
| Other Instrument Accessory's: | 75 |
| Probe Kits..... | 76 |
| Weld Probe Kit to fit WeldCheck/AeroCheck Range: | 76 |
| Weld Probe Advanced Kit to fit WeldCheck/AeroCheck Range: | 76 |
| Surface Probe Kit to fit WeldCheck/AeroCheck Range:..... | 77 |
| Sub Surface Probe Kit to fit WeldCheck/AeroCheck Range: | 77 |
| Rotary Drive Kit to fit AeroCheck – AeroCheck2 – AeroCheck+:..... | 77 |
| NIST Conductivity Probe Kit to fit WeldCheck+ – AeroCheck+: | 78 |
| NPL Conductivity Probe Kit to fit WeldCheck+ – AeroCheck+: | 79 |
| ETher NDE Eddy Current Product Range and Features Explained | 80 |
| Also Available | 81 |
| Special Probe Design Check List..... | 82 |

Address:

**ETHer NDE,
Endeavour House,
18 Brick Knoll Park,
Ashley Road,
St Albans,
Hertfordshire,
AL1 5UG.
UK**



Introduction

What does ETher NDE do?

We are a dedicated manufacturer of Eddy Current (ECT) non-destructive testing (NDT) equipment, probes and accessories and the 'go to' company for all your Eddy Current (EC) NDT solutions.

ETher NDE is based in St Albans, Hertfordshire, UK and has many distributors worldwide. If you would like to [learn more about NDT](#) and [learn more about Eddy current NDT](#), then please go to our website www.ethernde.com.

Why do we do what we do?

ETher NDE believes that our customers deserve the best: the best Eddy Current equipment, the best Eddy Current probes, the best Eddy Current knowledge and the best service. We know that the Eddy Current NDT market is very specialised so we strive to give our customers the highest level of Eddy Current expertise.

You won't find us diverting away to the more common NDT methods any time soon so we really are the market leaders for Eddy Current NDT knowledge. We are determined to continuously make sure that, as well as offering Eddy Current NDT equipment and probes, we are on hand to help with application problems and challenges. Our team thrives on a challenge.

Where did ETher NDE start?

Mike Reilly and John Hansen founded ETher NDE Ltd on 1st January 2010.

Mike was previously Group Managing Director of Sonatest PLC from 1989 to 2009, during which time the group grew from a \$2m to \$25m business.

John was Senior Staff Engineer for Eddy Current NDT at GE Inspection Technologies, St Albans, UK (previously Hocking NDT).

John is the immediate past Chairman of the BINDT Trade Group as well as being a BINDT Council Member, BINDT UK Engineering Council Representative and ordinary member of various other committees and for ASTM he serves on the Electromagnetic and DICONDE Committees (where he is the Eddy Current Technical Contact).

John's Eddy Current NDT wealth of knowledge and passion is well regarded in the industry and this, teamed with Mike's overall NDT market expertise, has allowed ETher NDE to be built on a very solid foundation.

With a combined industry experience of nearly 70 years, Mike and John quickly built a team based on non-destructive testing knowledge, passion and skill.

Who is ETher NDE?

Many of the ETher NDE team members, including John Hansen, have worked together previously as part of Hocking. Collectively we have over 150 years of non-destructive testing experience making us a strong Eddy Current specialist team.

If you want honest answers from knowledgeable, down to earth Eddy Current NDT specialists then ETher NDE is the company for you. If you give us a call, you'll go straight to Karen, who alone is an absolute fountain of product knowledge. She'll be able to direct you to the right team member for your question. Within the ETher NDE offices we house the Hardware, Software, Applications, Probe Manufacturing, Electronics, Sales and Marketing teams so you will be sure to get the correct person for your needs.

Ultimately we like to keep it simple at ETher; the ability to speak to someone as soon as possible that can give knowledgeable answers to your questions.

What do we stand for? What can we offer you?

ETher NDE was founded on three core principles and to this day they are still what we operate in line with every day. They are:

- 1. The ability to speak to someone who understands our product, the industry and your applications.**
- 2. Industry leading delivery on equipment and probes and the ability to respond to your challenges.**
- 3. Our products are second to none in both performance and quality.**

We are proud to offer Eddy Current NDT solutions to the industry backed up by a wealth of knowledge, with great customer service from real people who care and are passionate about what they do.

ETher NDE Instrument Probe Connector Details

All of the below instruments use the same industry standard Lemo Coaxial connector for Absolute probes and Lemo 12-Way connector for Bridge and Reflection probes.

WeldCheck – WeldCheck2 – WeldCheck+ - AeroCheck – AeroCheck2 - AeroCheck+:

Absolute probes
– Lemo Coaxial

Absolute, Bridge and
Reflection probes
– Lemo 12-Way



ETi – High End Eddy Current Flaw Detector:

Bridge and Reflection probes
– Lemo 12-Way

Absolute probes –
Lemo Coaxial



SigmaCheck – SigmaCheck2 Conductivity Meter:

This instrument uses a Lemo 5-Way connector for all conductivity probes.



EmbecEC - USB Embedded Eddy Current Solution:

This instrument uses a Lemo 7-Way connector for Bridge and Reflection probes.



Typical leads to fit above instrument:

| ETHER NDE Part No. | Description | Length | Configuration |
|----------------------------|---|--------|---------------|
| ALL07-L04-015-EEC-B | Accessory, Lead, Lemo 7-Way - Lemo 4-Way, 1.5m, To fit EmbedEC (Bridge) | 1.5m | Bridge |
| ALL07-L04-015-EEC-R | Accessory, Lead, Lemo 7-Way - Lemo 4-Way, 1.5m, To fit EmbedEC (Reflection) | 1.5m | Reflection |

Victor2.2D – Mains Powered Eddy Current Automated Inspection Instrument:

This instrument uses the industry standard Lemo Coaxial connector for Absolute probes and Lemo 12-Way connector for Bridge and Reflection probes



VeeScan Model H – Automated Eddy Current Wheel Inspection System:

This automated inspection systems uses a Lemo 4-Way connector on the wheel inspection probe and a Lemo 12-Way connector on the AeroCheck+ instrument.

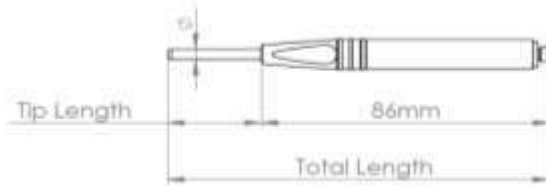


Lead to fit above system:

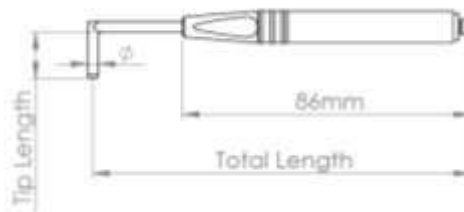
| ETHer NDE Part No. | Description | Length | Configuration |
|------------------------|---|--------|---------------|
| ALL12R-L04-025B | Accessory, Lead, Lemo 12-Way (90 deg) - Lemo 4-Way, 2.5m (Bridge) | 2.5m | Bridge |

Pencil Probes (Double Shielded) – Absolute/Bridge

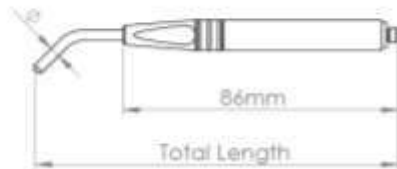
Straight with plastic handle



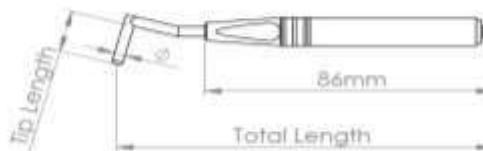
90deg Tip with plastic handle



45deg Crank with plastic handle



15deg Crank, 90deg Tip



Application:

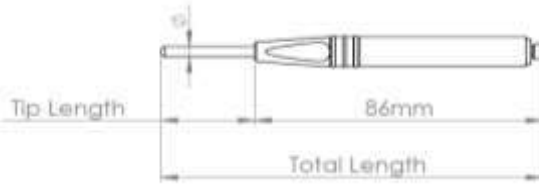
Absolute Pencil probes - for general purpose inspection of surface breaking defects and metallurgy variations, uses Micro connector.

Bridge Pencil probes – ETher NDE newly developed “IB Tech Inside “ absolute intrinsically balanced technology which further improves the signal to noise ratio of conventional absolute probes giving a significant improvement in inspection reliability, uses Lemo 4-Way connector.

Specification:

- Double Shielded, used on Fe & NFe applications, Disconnectable
- Non Magnetic Stainless Steel Shanks - Straight, 90deg Tip, 45deg Crank, 15deg crank + 90deg Tip
- Plastic Handle with finger scallops and neoprene grip
- Connector – Micro for absolute and Lemo 4-Way for bridge (IB Tech Inside)
- Centre frequency/Operating range – 200kHz (50kHz – 600kHz), 500kHz (150kHz – 1.5MHz), 2MHz – (650kHz – 6MHz), 6MHz – (2MHz – 18MHz)

Straight - Absolute with plastic handle coding:



Standard

| ETHer NDE Part No. | Centre Frequency | Tip Length (Total Length) | ØTip | Type |
|---|------------------|---|-------------|----------|
| Probe, Shielded, Plastic Handle, Straight: | | | | |
| PS200PS028-114N | 200kHz | 28mm Tip Length (Total Length 114mm, 4.5") (Straight Shank) | 4.45 | Absolute |
| PS200PS028-114F | 200kHz | 28mm Tip Length (Total Length 114mm, 4.5") (Straight Shank) | 3.30 (Fine) | Absolute |
| PS500PS028-114N | 500kHz | 28mm Tip Length (Total Length 114mm, 4.5") (Straight Shank) | 4.45 | Absolute |
| PS500PS028-114F | 500kHz | 28mm Tip Length (Total Length 114mm, 4.5") (Straight Shank) | 3.30 (Fine) | Absolute |
| PS002PS028-114N | 2MHz | 28mm Tip Length (Total Length 114mm, 4.5") (Straight Shank) | 3.30 | Absolute |
| PS002PS028-114F | 2MHz | 28mm Tip Length (Total Length 114mm, 4.5") (Straight Shank) | 2.34 (Fine) | Absolute |
| PS006PS028-114N | 6MHz | 28mm Tip Length (Total Length 114mm, 4.5") (Straight Shank) | 2.34 | Absolute |
| Please see matrix below for other options, specials available on request. | | | | |

Other

Straight Probe Example: PS200PS028-114N

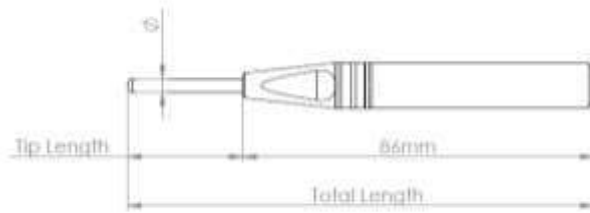
| PS | Centre Frequency | Handle | Tip Type | Tip Length (mm) - Total Length (mm) | Tip Diameter (mm) |
|-----------|------------------|----------|----------|---|----------------------------------|
| PS | 200 | P | S | 028-114 | N |
| | 200 = 200kHz | Plastic | Straight | 028-114 = Tip Length 28mm - Total Length 114mm (4.5") | N = Normal (200kHz = Dia 4.45mm) |
| | 500 = 500kHz | | | 048-127 = Tip Length 48mm - Total Length 127mm (5.0") | N = Normal(500kHz = Dia 4.45mm) |
| | 002 = 2MHz | | | 066-152 = Tip Length 66mm - Total Length 152mm (6.0") | N = Normal(2MHz = Dia 3.30mm) |
| | 006 = 6MHz | | | 117-203 = Tip Length 117mm - Total Length 203mm (8.0") | N = (6MHz = Dia 2.34mm) |
| | | | | 168-254 = Tip Length 168mm - Total Length 254mm (10.0") | F = Fine(200k = Dia 3.30mm) |
| | | | | 219-305 = Tip Length 219mm - Total Length 305mm (12.0") | F = Fine(500kHz = Dia 3.30mm) |
| | | | | | F = Fine(2MHz = Dia 2.34mm) |

Other variants available on request.

Leads to fit above probes:

| ETHer NDE Part No. | Description | Instrument | Connector Instrument End | Connector Probe End | Cable Length | Configuration |
|-----------------------|-------------|---------------------------------|--------------------------|---------------------|--------------|---------------|
| ALLCX-M02-015A | Lead | WeldCheck/AeroCheck/Vantage/ETi | Lemo Coaxial | Micro Plug | 1.5m | Absolute |
| ALL12-M02-015A | Lead | WeldCheck/AeroCheck/Hocking | Lemo 12-Way | Micro Plug | 1.5m | Absolute |
| ALL07-M02-015A | Lead | Hocking | Lemo 7-Way | Micro Plug | 1.5m | Absolute |
| ALB02-M02-015A | Lead | Various | BNC Plug | Micro Plug | 1.5m | Absolute |

Straight – Bridge (IB Tech Inside) with plastic handle coding:



Standard

| ETHer NDE Part No. | Centre Frequency | Tip Length (Total Length) | ØTip | Type |
|---|------------------|---|-------------|--------|
| Probe, Shielded, Plastic Handle, Straight: | | | | |
| PS200PS028-114NB | 200kHz | 28mm Tip Length (Total Length 114mm, 4.5") (Straight Shank) | 4.45 | Bridge |
| PS200PS028-114FB | 200kHz | 28mm Tip Length (Total Length 114mm, 4.5") (Straight Shank) | 3.30 (Fine) | Bridge |
| PS500PS028-114NB | 500kHz | 28mm Tip Length (Total Length 114mm, 4.5") (Straight Shank) | 4.45 | Bridge |
| PS500PS028-114FB | 500kHz | 28mm Tip Length (Total Length 114mm, 4.5") (Straight Shank) | 3.30 (Fine) | Bridge |
| PS002PS028-114NB | 2MHz | 28mm Tip Length (Total Length 114mm, 4.5") (Straight Shank) | 3.30 | Bridge |
| PS002PS028-114FB | 2MHz | 28mm Tip Length (Total Length 114mm, 4.5") (Straight Shank) | 2.34 (Fine) | Bridge |
| PS006PS028-114NB | 6MHz | 28mm Tip Length (Total Length 114mm, 4.5") (Straight Shank) | 2.34 | Bridge |
| Please see matrix below for other options, specials available on request. | | | | |

Other

Straight Probe Example: PS200PS028-114NB

| PS | Centre Frequency | Handle | Tip Type | Tip Length (mm) - Total Length (mm) | Tip Diameter (mm) |
|-----------|---------------------|----------------|-----------------|--|--|
| PS | 200 | P | S | 028-114 | NB |
| | 200 = 200kHz | Plastic | Straight | 028-114 = Tip Length 28mm - Total Length 114mm (4.5") | NB = Normal (200kHz = Dia 4.45mm) |
| | 500 = 500kHz | | | 048-127 = Tip Length 48mm - Total Length 127mm (5.0") | NB = Normal (500kHz = Dia 4.45mm) |
| | 002 = 2MHz | | | 066-152 = Tip Length 66mm - Total Length 152mm (6.0") | NB = Normal(2MHz = Dia 3.30mm) |
| | 006 = 6MHz | | | 117-203 = Tip Length 117mm - Total Length 203mm (8.0") | NB = (6MHz = Dia 2.34mm) |
| | | | | 168-254 = Tip Length 168mm - Total Length 254mm (10.0") | FB = Fine(200k = Dia 3.30mm) |
| | | | | 219-305 = Tip Length 219mm - Total Length 305mm (12.0") | FB = Fine(500kHz = Dia 3.30mm) |
| | | | | | FB = Fine(2MHz = Dia 2.34mm) |

Other variants available on request.

Leads to fit above probes:

| ETHer NDE Part No. | Description | Instrument | Connector Instrument End | Connector Probe End | Cable Length | Configuration |
|-----------------------|-------------|---|--------------------------|---------------------|--------------|---------------|
| ALFTRI-L04-015 | Lead | Victor/Veritor | Fischer Triax | Lemo 4-Way Plug | 1.5m | Bridge |
| ALL12-L04-015B | Lead | WeldCheck/ AeroCheck/ Vantage/ETi | Lemo 12-Way | Lemo 4-Way Plug | 1.5m | Bridge |
| ALL07-L04-015B | Lead | Hocking | Lemo 7-Way | Lemo 4-Way Plug | 1.5m | Bridge |

90deg Tip - Absolute with plastic handle coding:



Standard

| ETHer NDE Part No. | Centre Frequency | Tip Length (Total Length) | ØTip |
|---|------------------|---|-------------|
| Probe, Shielded, Plastic Handle, Right angled 90deg Tip: | | | |
| PS200PR050-114N | 200kHz | 5.0 (MIN) Tip Length (Total Length 114mm, 4.5") (90deg Tip Shank) | 4.45 |
| PS200PR027-114F | 200kHz | 2.7 (MIN) Tip Length (Total Length 114mm, 4.5") (90deg Tip Shank) | 3.30 (Fine) |
| PS500PR050-114N | 500kHz | 5.0 (MIN) Tip Length (Total Length 114mm, 4.5") (90deg Tip Shank) | 4.45 |
| PS500PR027-114F | 500kHz | 2.7 (MIN) Tip Length (Total Length 114mm, 4.5") (90deg Tip Shank) | 3.30 (Fine) |
| PS002PR027-114N | 2MHz | 2.7 (MIN) Tip Length (Total Length 114mm, 4.5") (90deg Tip Shank) | 3.30 |
| PS002PR017-114F | 2MHz | 1.7 (MIN) Tip Length (Total Length 114mm, 4.5") (90deg Tip Shank) | 2.34 (Fine) |
| PS006PR017-114N | 6MHz | 1.7 (MIN) Tip Length (Total Length 114mm, 4.5") (90deg Tip Shank) | 2.34 |
| Please see matrix below for other options, specials available on request. | | | |

Other

90deg Tip Probe Example: **PS200PR050-114N**

| PS | Centre Frequency | Handle | Tip Type | Tip Length (mm) - Total Length (mm) | Tip Diameter (mm) |
|-----------|------------------|----------|----------|--|----------------------------------|
| PS | 200 | P | R | 050-114 | N |
| | 200 = 200kHz | Plastic | Right | 050-114 = Tip Length 5mm - Total Length 114mm (4.5") | N = Normal (200kHz = Dia 4.45mm) |
| | 500 = 500kHz | | angled | 050-127 = Tip Length 5mm - Total Length 127mm (5.0") | N = Normal (500kHz = Dia 4.45mm) |
| | | | 90deg | 050-152 = Tip Length 5mm - Total Length 152mm (6.0") | |
| | | | Tip | 050-203 = Tip Length 5mm - Total Length 203mm (8.0") | |
| | | | | 050-254 = Tip Length 5mm - Total Length 254mm (10.0") | |
| | | | | 050-305 = Tip Length 5mm - Total Length 305mm (12.0") | |
| | | | | 064-114 = Tip Length 6.4mm - Total Length 114mm (4.5") | |
| | | | | 064-127 = Tip Length 6.4mm - Total Length 127mm (5.0") | |
| | | | | 064-152 = Tip Length 6.4mm - Total Length 152mm (6.0") | |
| | | | | 064-203 = Tip Length 6.4mm - Total Length 203mm (8.0") | |
| | | | | 064-254 = Tip Length 6.4mm - Total Length 254mm (10.0") | |
| | | | | 064-305 = Tip Length 6.4mm - Total Length 305mm (12.0") | |
| | | | | 127-114 = Tip Length 12.7mm - Total Length 114mm (4.5") | |
| | | | | 127-127 = Tip Length 12.7mm - Total Length 127mm (5.0") | |
| | | | | 127-152 = Tip Length 12.7mm - Total Length 152mm (6.0") | |
| | | | | 127-203 = Tip Length 12.7mm - Total Length 203mm (8.0") | |
| | | | | 127-254 = Tip Length 12.7mm - Total Length 254mm (10.0") | |
| | | | | 127-305 = Tip Length 12.7mm - Total Length 305mm (12.0") | |
| | | | | 190-114 = Tip Length 19.0mm - Total Length 114mm (4.5") | |
| | | | | 190-127 = Tip Length 19.0mm - Total Length 127mm (5.0") | |

| Centre Frequency | Handle | Tip Type | Tip Length (mm) - Total Length (mm) | Tip Diameter (mm) | | | |
|---------------------|---|---------------------|---|---|--------|--|---------------------------------------|
| 200 = 200kHz | Plastic | Right | 190-152 = Tip Length 19.0mm - Total Length 152mm (6.0") | N = Normal (200kHz = Dia 4.45mm) | | | |
| | | angled | 190-203 = Tip Length 19.0mm - Total Length 203mm (8.0") | | | | |
| | | 90deg | 190-254 = Tip Length 19.0mm - Total Length 254mm (10.0") | | | | |
| | | Tip | 190-305 = Tip Length 19.0mm - Total Length 305mm (12.0") | | | | |
| | | | 245-114 = Tip Length 25.4mm - Total Length 114mm (4.5") | | | | |
| | | | 254-127 = Tip Length 25.4mm - Total Length 127mm (5.0") | | | | |
| | | | 254-152 = Tip Length 25.4mm - Total Length 152mm (6.0") | | | | |
| | | | 254-203 = Tip Length 25.4mm - Total Length 203mm (8.0") | | | | |
| | | | 254-254 = Tip Length 25.4mm - Total Length 254mm (10.0") | | | | |
| | | | 254-305 = Tip Length 25.4mm - Total Length 305mm (12.0") | | | | |
| | | 500 = 500kHz | Plastic | | Right | 027-114 = Tip Length 2.7mm - Total Length 114mm (4.5") | F = Fine (200k = Dia 3.30mm) |
| | | | | | angled | 027-127 = Tip Length 2.7mm - Total Length 127mm (5.0") | |
| | | | | | 90deg | 027-152 = Tip Length 2.7mm - Total Length 152mm (6.0") | |
| | | | | | Tip | 027-203 = Tip Length 2.7mm - Total Length 203mm (8.0") | |
| | 027-254 = Tip Length 2.7mm - Total Length 254mm (10.0") | | | | | | |
| | 027-305 = Tip Length 2.7mm - Total Length 305mm (12.0") | | | | | | |
| | 064-114 = Tip Length 6.4mm - Total Length 114mm (4.5") | | | | | | |
| | 064-127 = Tip Length 6.4mm - Total Length 127mm (5.0") | | | | | | |
| | 064-152 = Tip Length 6.4mm - Total Length 152mm (6.0") | | | | | | |
| | 064-203 = Tip Length 6.4mm - Total Length 203mm (8.0") | | | | | | |
| | 064-254 = Tip Length 6.4mm - Total Length 254mm (10.0") | | | | | | |
| | 064-305 = Tip Length 6.4mm - Total Length 305mm (12.0") | | | | | | |
| | 127-114 = Tip Length 12.7mm - Total Length 114mm (4.5") | | | | | | |
| | 127-127 = Tip Length 12.7mm - Total Length 127mm (5.0") | | | | | | |
| | 127-152 = Tip Length 12.7mm - Total Length 152mm (6.0") | | | | | | |
| | 127-203 = Tip Length 12.7mm - Total Length 203mm (8.0") | | | | | | |
| | 127-254 = Tip Length 12.7mm - Total Length 254mm (10.0") | | | | | | |
| | 127-305 = Tip Length 12.7mm - Total Length 305mm (12.0") | | | | | | |
| | 190-114 = Tip Length 19.0mm - Total Length 114mm (4.5") | | | | | | |
| | 190-127 = Tip Length 19.0mm - Total Length 127mm (5.0") | | | | | | |
| | 190-152 = Tip Length 19.0mm - Total Length 152mm (6.0") | | | | | | |
| | 190-203 = Tip Length 19.0mm - Total Length 203mm (8.0") | | | | | | |
| | 190-254 = Tip Length 19.0mm - Total Length 254mm (10.0") | | | | | | |
| | 190-305 = Tip Length 19.0mm - Total Length 305mm (12.0") | | | | | | |
| | 245-114 = Tip Length 25.4mm - Total Length 114mm (4.5") | | | | | | |
| | 254-127 = Tip Length 25.4mm - Total Length 127mm (5.0") | | | | | | |
| | 254-152 = Tip Length 25.4mm - Total Length 152mm (6.0") | | | | | | |
| | 254-203 = Tip Length 25.4mm - Total Length 203mm (8.0") | | | | | | |
| | 254-254 = Tip Length 25.4mm - Total Length 254mm (10.0") | | | | | | |
| | 254-305 = Tip Length 25.4mm - Total Length 305mm (12.0") | | | | | | |
| 002 = 2MHz | Plastic | Right | 027-114 = Tip Length 2.7mm - Total Length 114mm (4.5") | F = Fine (2MHz = Dia 2.34mm) | | | |
| | | angled | 027-127 = Tip Length 2.7mm - Total Length 127mm (5.0") | | | | |
| | | 90deg | 027-152 = Tip Length 2.7mm - Total Length 152mm (6.0") | | | | |
| | | Tip | 027-203 = Tip Length 2.7mm - Total Length 203mm (8.0") | | | | |
| | | | 027-254 = Tip Length 2.7mm - Total Length 254mm (10.0") | | | | |
| | | | 027-305 = Tip Length 2.7mm - Total Length 305mm (12.0") | | | | |
| | | 006 = 6MHz | Plastic | | Right | 027-114 = Tip Length 2.7mm - Total Length 114mm (4.5") | N = Normal (6MHz = Dia 2.34mm) |
| | | | | | angled | 027-127 = Tip Length 2.7mm - Total Length 127mm (5.0") | |
| | | | | | 90deg | 027-152 = Tip Length 2.7mm - Total Length 152mm (6.0") | |
| | | | | | Tip | 027-203 = Tip Length 2.7mm - Total Length 203mm (8.0") | |
| | | | | | | 027-254 = Tip Length 2.7mm - Total Length 254mm (10.0") | |
| | | | | | | 027-305 = Tip Length 2.7mm - Total Length 305mm (12.0") | |

| | | | | |
|-------------------|----------------|---------------|---|---------------------------------------|
| 002 = 2MHz | Plastic | Right | 064-114 = Tip Length 6.4mm - Total Length 114mm (4.5") | F = Fine (2MHz = Dia 2.34mm) |
| 006 = 6MHz | | angled | 064-127 = Tip Length 6.4mm - Total Length 127mm (5.0") | N = Normal (6MHz = Dia 2.34mm) |
| | | 90deg | 064-152 = Tip Length 6.4mm - Total Length 152mm (6.0") | |
| | | Tip | 064-203 = Tip Length 6.4mm - Total Length 203mm (8.0") | |
| | | | 064-254 = Tip Length 6.4mm - Total Length 254mm (10.0") | |
| | | | 064-305 = Tip Length 6.4mm - Total Length 305mm (12.0") | |
| | | | 127-114 = Tip Length 12.7mm - Total Length 114mm (4.5") | |
| | | | 127-127 = Tip Length 12.7mm - Total Length 127mm (5.0") | |
| | | | 127-152 = Tip Length 12.7mm - Total Length 152mm (6.0") | |
| | | | 127-203 = Tip Length 12.7mm - Total Length 203mm (8.0") | |
| | | | 127-254 = Tip Length 12.7mm - Total Length 254mm (10.0") | |
| | | | 127-305 = Tip Length 12.7mm - Total Length 305mm (12.0") | |
| | | | 190-114 = Tip Length 19.0mm - Total Length 114mm (4.5") | |
| | | | 190-127 = Tip Length 19.0mm - Total Length 127mm (5.0") | |
| | | | 190-152 = Tip Length 19.0mm - Total Length 152mm (6.0") | |
| | | | 190-203 = Tip Length 19.0mm - Total Length 203mm (8.0") | |
| | | | 190-254 = Tip Length 19.0mm - Total Length 254mm (10.0") | |
| | | | 190-305 = Tip Length 19.0mm - Total Length 305mm (12.0") | |
| | | | 245-114 = Tip Length 25.4mm - Total Length 114mm (4.5") | |
| | | | 254-127 = Tip Length 25.4mm - Total Length 127mm (5.0") | |
| | | | 254-152 = Tip Length 25.4mm - Total Length 152mm (6.0") | |
| | | | 254-203 = Tip Length 25.4mm - Total Length 203mm (8.0") | |
| | | | 254-254 = Tip Length 25.4mm - Total Length 254mm (10.0") | |
| | | | 254-305 = Tip Length 25.4mm - Total Length 305mm (12.0") | |

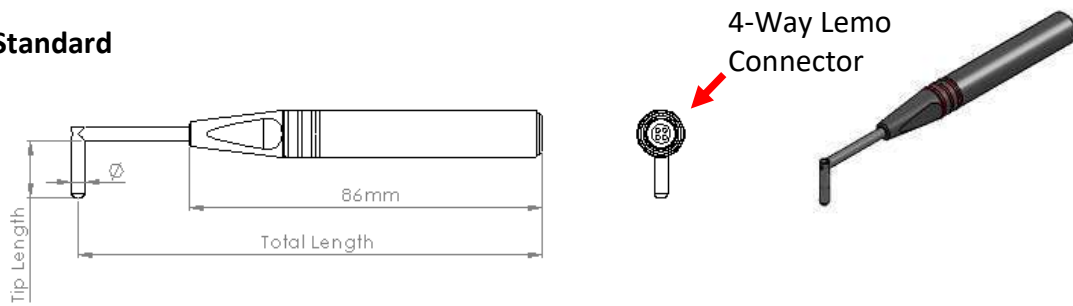
Other variants available on request.

Leads to fit above probes:

| ETHer NDE Part No. | Description | Instrument | Connector Instrument End | Connector Probe End | Cable Length | Configuration |
|-----------------------|-------------|---|--------------------------|---------------------|--------------|---------------|
| ALLCX-M02-015A | Lead | WeldCheck/ AeroCheck/ Vantage/ETi | Lemo Coaxial | Micro Plug | 1.5m | Absolute |
| ALL12-M02-015A | Lead | WeldCheck/ AeroCheck/ Vantage/ETi/Hocking | Lemo 12-Way | Micro Plug | 1.5m | Absolute |
| ALL07-M02-015A | Lead | Hocking | Lemo 7-Way | Micro Plug | 1.5m | Absolute |
| ALB02-M02-015A | Lead | Various | BNC Plug | Micro Plug | 1.5m | Absolute |

90deg Tip - Bridge (IB Tech Inside) with plastic handle coding:

Standard



| ETHer NDE Part No. | Centre Frequency | Tip Length (Total Length) | ØTip |
|---|------------------|---|-------------|
| Probe, Shielded, Plastic Handle, Right angled 90deg Tip: | | | |
| PS200PR050-114NB | 200kHz | 5.0 (MIN) Tip Length (Total Length 114mm, 4.5") (90deg Tip Shank) | 4.45 |
| PS200PR027-114FB | 200kHz | 2.7 (MIN) Tip Length (Total Length 114mm, 4.5") (90deg Tip Shank) | 3.30 (Fine) |
| PS500PR050-114NB | 500kHz | 5.0 (MIN) Tip Length (Total Length 114mm, 4.5") (90deg Tip Shank) | 4.45 |
| PS500PR027-114FB | 500kHz | 2.7 (MIN) Tip Length (Total Length 114mm, 4.5") (90deg Tip Shank) | 3.30 (Fine) |
| PS002PR027-114NB | 2MHz | 2.7 (MIN) Tip Length (Total Length 114mm, 4.5") (90deg Tip Shank) | 3.30 |
| PS002PR017-114FB | 2MHz | 1.7 (MIN) Tip Length (Total Length 114mm, 4.5") (90deg Tip Shank) | 2.34 (Fine) |
| PS006PR017-114NB | 6MHz | 1.7 (MIN) Tip Length (Total Length 114mm, 4.5") (90deg Tip Shank) | 2.34 |
| Please see matrix below for other options, specials available on request. | | | |

Other

90deg Tip Probe Example: **PS200PR050-114NB**

| PS | Centre Frequency | Handle | Tip Type | Tip Length (mm) - Total Length (mm) | Tip Diameter (mm) |
|-----------|------------------|----------|----------|--|-----------------------------------|
| PS | 200 | P | R | 050-114 | NB |
| | 200 = 200kHz | Plastic | Right | 050-114 = Tip Length 5mm - Total Length 114mm (4.5") | NB = Normal (200kHz = Dia 4.45mm) |
| | 500 = 500kHz | | angled | 050-127 = Tip Length 5mm - Total Length 127mm (5.0") | NB = Normal (500kHz = Dia 4.45mm) |
| | | | 90deg | 050-152 = Tip Length 5mm - Total Length 152mm (6.0") | |
| | | | Tip | 050-203 = Tip Length 5mm - Total Length 203mm (8.0") | |
| | | | | 050-254 = Tip Length 5mm - Total Length 254mm (10.0") | |
| | | | | 050-305 = Tip Length 5mm - Total Length 305mm (12.0") | |
| | | | | 064-114 = Tip Length 6.4mm - Total Length 114mm (4.5") | |
| | | | | 064-127 = Tip Length 6.4mm - Total Length 127mm (5.0") | |
| | | | | 064-152 = Tip Length 6.4mm - Total Length 152mm (6.0") | |
| | | | | 064-203 = Tip Length 6.4mm - Total Length 203mm (8.0") | |
| | | | | 064-254 = Tip Length 6.4mm - Total Length 254mm (10.0") | |
| | | | | 064-305 = Tip Length 6.4mm - Total Length 305mm (12.0") | |
| | | | | 127-114 = Tip Length 12.7mm - Total Length 114mm (4.5") | |
| | | | | 127-127 = Tip Length 12.7mm - Total Length 127mm (5.0") | |
| | | | | 127-152 = Tip Length 12.7mm - Total Length 152mm (6.0") | |
| | | | | 127-203 = Tip Length 12.7mm - Total Length 203mm (8.0") | |
| | | | | 127-254 = Tip Length 12.7mm - Total Length 254mm (10.0") | |
| | | | | 127-305 = Tip Length 12.7mm - Total Length 305mm (12.0") | |
| | | | | 190-114 = Tip Length 19.0mm - Total Length 114mm (4.5") | |
| | | | | 190-127 = Tip Length 19.0mm - Total Length 127mm (5.0") | |

| Centre Frequency | Handle | Tip Type | Tip Length (mm) - Total Length (mm) | Tip Diameter (mm) | | |
|---|--|--|---|--|---|--------------------------------------|
| 200 = 200kHz | Plastic | Right | 190-152 = Tip Length 19.0mm - Total Length 152mm (6.0") | NB = Normal (200kHz = Dia 4.45mm) | | |
| | | | 190-203 = Tip Length 19.0mm - Total Length 203mm (8.0") | | | |
| | | angled | 190-254 = Tip Length 19.0mm - Total Length 254mm (10.0") | NB = Normal (500kHz = Dia 4.45mm) | | |
| | | | 190-305 = Tip Length 19.0mm - Total Length 305mm (12.0") | | | |
| | | 90deg | 245-114 = Tip Length 25.4mm - Total Length 114mm (4.5") | | | |
| | | | 254-127 = Tip Length 25.4mm - Total Length 127mm (5.0") | | | |
| | | | 254-152 = Tip Length 25.4mm - Total Length 152mm (6.0") | | | |
| | | | 254-203 = Tip Length 25.4mm - Total Length 203mm (8.0") | | | |
| | | | 254-254 = Tip Length 25.4mm - Total Length 254mm (10.0") | | | |
| | | | 254-305 = Tip Length 25.4mm - Total Length 305mm (12.0") | | | |
| | | | Tip | | | |
| | | | | | | |
| | | 500 = 500kHz | Plastic | Right | 027-114 = Tip Length 2.7mm - Total Length 114mm (4.5") | FB = Fine (200k = Dia 3.30mm) |
| | | | | | 027-127 = Tip Length 2.7mm - Total Length 127mm (5.0") | |
| angled | 027-152 = Tip Length 2.7mm - Total Length 152mm (6.0") | | | FB = Fine (500kHz = Dia 3.30mm) | | |
| | 027-203 = Tip Length 2.7mm - Total Length 203mm (8.0") | | | | | |
| 90deg | 027-254 = Tip Length 2.7mm - Total Length 254mm (10.0") | | | NB = Normal (2MHz = Dia 3.30mm) | | |
| | 027-305 = Tip Length 2.7mm - Total Length 305mm (12.0") | | | | | |
| Tip | 064-114 = Tip Length 6.4mm - Total Length 114mm (4.5") | | | | | |
| | 064-127 = Tip Length 6.4mm - Total Length 127mm (5.0") | | | | | |
| | 064-152 = Tip Length 6.4mm - Total Length 152mm (6.0") | | | | | |
| | 064-203 = Tip Length 6.4mm - Total Length 203mm (8.0") | | | | | |
| | 064-254 = Tip Length 6.4mm - Total Length 254mm (10.0") | | | | | |
| | 064-305 = Tip Length 6.4mm - Total Length 305mm (12.0") | | | | | |
| | 127-114 = Tip Length 12.7mm - Total Length 114mm (4.5") | | | | | |
| | 127-127 = Tip Length 12.7mm - Total Length 127mm (5.0") | | | | | |
| 127-152 = Tip Length 12.7mm - Total Length 152mm (6.0") | | | | | | |
| 127-203 = Tip Length 12.7mm - Total Length 203mm (8.0") | | | | | | |
| 127-254 = Tip Length 12.7mm - Total Length 254mm (10.0") | | | | | | |
| 127-305 = Tip Length 12.7mm - Total Length 305mm (12.0") | | | | | | |
| 190-114 = Tip Length 19.0mm - Total Length 114mm (4.5") | | | | | | |
| 190-127 = Tip Length 19.0mm - Total Length 127mm (5.0") | | | | | | |
| 190-152 = Tip Length 19.0mm - Total Length 152mm (6.0") | | | | | | |
| 190-203 = Tip Length 19.0mm - Total Length 203mm (8.0") | | | | | | |
| 190-254 = Tip Length 19.0mm - Total Length 254mm (10.0") | | | | | | |
| 190-305 = Tip Length 19.0mm - Total Length 305mm (12.0") | | | | | | |
| 245-114 = Tip Length 25.4mm - Total Length 114mm (4.5") | | | | | | |
| 254-127 = Tip Length 25.4mm - Total Length 127mm (5.0") | | | | | | |
| 254-152 = Tip Length 25.4mm - Total Length 152mm (6.0") | | | | | | |
| 254-203 = Tip Length 25.4mm - Total Length 203mm (8.0") | | | | | | |
| 254-254 = Tip Length 25.4mm - Total Length 254mm (10.0") | | | | | | |
| 254-305 = Tip Length 25.4mm - Total Length 305mm (12.0") | | | | | | |
| 002 = 2MHz | Plastic | Right | 027-114 = Tip Length 2.7mm - Total Length 114mm (4.5") | FB = Fine (2MHz = Dia 2.34mm) | | |
| | | | 027-127 = Tip Length 2.7mm - Total Length 127mm (5.0") | | | |
| | | angled | 027-152 = Tip Length 2.7mm - Total Length 152mm (6.0") | NB = Normal (6MHz = Dia 2.34mm) | | |
| | | | 027-203 = Tip Length 2.7mm - Total Length 203mm (8.0") | | | |
| | | 90deg | 027-254 = Tip Length 2.7mm - Total Length 254mm (10.0") | | | |
| | | | 027-305 = Tip Length 2.7mm - Total Length 305mm (12.0") | | | |
| Tip | | | | | | |
| | | | | | | |
| 006 = 6MHz | Plastic | Right | 027-114 = Tip Length 2.7mm - Total Length 114mm (4.5") | FB = Fine (2MHz = Dia 2.34mm) | | |
| | | | 027-127 = Tip Length 2.7mm - Total Length 127mm (5.0") | | | |
| angled | 027-152 = Tip Length 2.7mm - Total Length 152mm (6.0") | NB = Normal (6MHz = Dia 2.34mm) | | | | |
| | 027-203 = Tip Length 2.7mm - Total Length 203mm (8.0") | | | | | |
| 90deg | 027-254 = Tip Length 2.7mm - Total Length 254mm (10.0") | | | | | |
| | 027-305 = Tip Length 2.7mm - Total Length 305mm (12.0") | | | | | |
| Tip | | | | | | |
| | | | | | | |

| | | | | |
|-------------------|---------|--------|---|--|
| 002 = 2MHz | Plastic | Right | 064-114 = Tip Length 6.4mm - Total Length 114mm (4.5") | FB = Fine (2MHz = Dia 2.34mm) |
| 006 = 6MHz | | angled | 064-127 = Tip Length 6.4mm - Total Length 127mm (5.0") | NB = Normal (6MHz = Dia 2.34mm) |
| | | 90deg | 064-152 = Tip Length 6.4mm - Total Length 152mm (6.0") | |
| | | Tip | 064-203 = Tip Length 6.4mm - Total Length 203mm (8.0") | |
| | | | 064-254 = Tip Length 6.4mm - Total Length 254mm (10.0") | |
| | | | 064-305 = Tip Length 6.4mm - Total Length 305mm (12.0") | |
| <hr/> | | | | |
| | | | 127-114 = Tip Length 12.7mm - Total Length 114mm (4.5") | |
| | | | 127-127 = Tip Length 12.7mm - Total Length 127mm (5.0") | |
| | | | 127-152 = Tip Length 12.7mm - Total Length 152mm (6.0") | |
| | | | 127-203 = Tip Length 12.7mm - Total Length 203mm (8.0") | |
| | | | 127-254 = Tip Length 12.7mm - Total Length 254mm (10.0") | |
| | | | 127-305 = Tip Length 12.7mm - Total Length 305mm (12.0") | |
| <hr/> | | | | |
| | | | 190-114 = Tip Length 19.0mm - Total Length 114mm (4.5") | |
| | | | 190-127 = Tip Length 19.0mm - Total Length 127mm (5.0") | |
| | | | 190-152 = Tip Length 19.0mm - Total Length 152mm (6.0") | |
| | | | 190-203 = Tip Length 19.0mm - Total Length 203mm (8.0") | |
| | | | 190-254 = Tip Length 19.0mm - Total Length 254mm (10.0") | |
| | | | 190-305 = Tip Length 19.0mm - Total Length 305mm (12.0") | |
| <hr/> | | | | |
| | | | 245-114 = Tip Length 25.4mm - Total Length 114mm (4.5") | |
| | | | 254-127 = Tip Length 25.4mm - Total Length 127mm (5.0") | |
| | | | 254-152 = Tip Length 25.4mm - Total Length 152mm (6.0") | |
| | | | 254-203 = Tip Length 25.4mm - Total Length 203mm (8.0") | |
| | | | 254-254 = Tip Length 25.4mm - Total Length 254mm (10.0") | |
| | | | 254-305 = Tip Length 25.4mm - Total Length 305mm (12.0") | |

Other variants available on request.

Leads to fit above probes:

| ETHER NDE Part No. | Description | Instrument | Connector Instrument End | Connector Probe End | Cable Length | Configuration |
|-----------------------|-------------|---|--------------------------|---------------------|--------------|---------------|
| ALFTRI-L04-015 | Lead | Victor/Veritor | Fischer Triax | Lemo 4-Way Plug | 1.5m | Bridge |
| ALL12-L04-015B | Lead | WeldCheck/ AeroCheck/ Vantage/ETi/Hocking | Lemo 12-Way | Lemo 4-Way Plug | 1.5m | Bridge |
| ALL07-L04-015B | Lead | Hocking | Lemo 7-Way | Lemo 4-Way Plug | 1.5m | Bridge |

45deg Crank – Absolute with plastic handle coding:



Standard

| ETHer NDE Part No. | Centre Frequency | Tip Length (Total Length) | ØTip | Type |
|--|------------------|--|-------------|----------|
| Probe, Shielded, Plastic Handle, Crank: | | | | |
| PS200PC195-114N | 200kHz | 19.5 (0.75") Tip Length (Total Length 114mm, 4.5") (45deg Crank Shank) | 4.45 | Absolute |
| PS200PC195-114F | 200kHz | 19.5 (0.75") Tip Length (Total Length 114mm, 4.5") (45deg Crank Shank) | 3.30 (Fine) | Absolute |
| PS500PC195-114N | 500kHz | 19.5 (0.75") Tip Length (Total Length 114mm, 4.5") (45deg Crank Shank) | 4.45 | Absolute |
| PS500PC195-114F | 500kHz | 19.5 (0.75") Tip Length (Total Length 114mm, 4.5") (45deg Crank Shank) | 3.30 (Fine) | Absolute |
| PS002PC195-114N | 2MHz | 19.5 (0.75") Tip Length (Total Length 114mm, 4.5") (45deg Crank Shank) | 3.30 | Absolute |
| PS002PC195-114F | 2MHz | 19.5 (0.75") Tip Length (Total Length 114mm, 4.5") (45deg Crank Shank) | 2.34 (Fine) | Absolute |
| PS006PC195-114N | 6MHz | 19.5 (0.75") Tip Length (Total Length 114mm, 4.5") (45deg Crank Shank) | 2.34 | Absolute |

Please see matrix below for other options, specials available on request.

Other

45deg Crank Probe Example: PS200PC195-114N

| PS | Centre Frequency | Handle | Tip Type | Tip Length (mm) - Total Length (mm) | Tip Diameter (mm) |
|------------|---------------------|----------------|--------------|---|---|
| 200 | 200kHz | P | C | 195-114 | N |
| | 200 = 200kHz | Plastic | Crank | 195-114 = Tip Length 19.5mm - Total Length 114mm (4.5") | N = Normal (200kHz = Dia 4.45mm) |
| | 500 = 500kHz | | | 195-127 = Tip Length 19.5mm - Total Length 127mm (5.0") | N = Normal (500kHz = Dia 4.45mm) |
| | 002 = 2MHz | | | 195-152 = Tip Length 19.5mm - Total Length 152mm (6.0") | N = Normal (2MHz = Dia 3.30mm) |
| | 006 = 6MHz | | | 195-203 = Tip Length 19.5mm - Total Length 203mm (8.0") | N = Normal (6MHz = Dia 2.34mm) |
| | | | | 195-254 = Tip Length 19.5mm - Total Length 254mm (10.0") | F = Fine (200k = Dia 3.30mm) |
| | | | | 195-305 = Tip Length 19.5mm - Total Length 305mm (12.0") | F = Fine (500kHz = Dia 3.30mm) |
| | | | | | F = Fine (2MHz = Dia 2.34mm) |

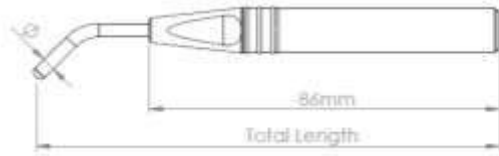
Other variants available on request.

Leads to fit above probes:

| ETHer NDE Part No. | Description | Instrument | Connector Instrument End | Connector Probe End | Cable Length | Configuration |
|-----------------------|-------------|---|--------------------------|---------------------|--------------|---------------|
| ALLCX-M02-015A | Lead | WeldCheck/ AeroCheck/ Vantage/ETi | Lemo Coaxial | Micro Plug | 1.5m | Absolute |
| ALL12-M02-015A | Lead | WeldCheck/ AeroCheck/ Vantage/ETi/Hocking | Lemo 12- Way | Micro Plug | 1.5m | Absolute |
| ALL07-M02-015A | Lead | Hocking | Lemo 7- Way | Micro Plug | 1.5m | Absolute |
| ALB02-M02-015A | Lead | Various | BNC Plug | Micro Plug | 1.5m | Absolute |

45deg Crank – Bridge (IB Tech Inside) with plastic handle coding:

Standard



| ETHer NDE Part No. | Centre Frequency | Tip Length (Total Length) | ØTip | Type |
|---|------------------|--|-------------|--------|
| Probe, Shielded, Plastic Handle, Crank: | | | | |
| PS200PC195-114NB | 200kHz | 19.5 (0.75") Tip Length (Total Length 114mm, 4.5") (45deg Crank Shank) | 4.45 | Bridge |
| PS200PC195-114FB | 200kHz | 19.5 (0.75") Tip Length (Total Length 114mm, 4.5") (45deg Crank Shank) | 3.30 (Fine) | Bridge |
| PS500PC195-114NB | 500kHz | 19.5 (0.75") Tip Length (Total Length 114mm, 4.5") (45deg Crank Shank) | 4.45 | Bridge |
| PS500PC195-114FB | 500kHz | 19.5 (0.75") Tip Length (Total Length 114mm, 4.5") (45deg Crank Shank) | 3.30 (Fine) | Bridge |
| PS002PC195-114NB | 2MHz | 19.5 (0.75") Tip Length (Total Length 114mm, 4.5") (45deg Crank Shank) | 3.30 | Bridge |
| PS002PC195-114FB | 2MHz | 19.5 (0.75") Tip Length (Total Length 114mm, 4.5") (45deg Crank Shank) | 2.34 (Fine) | Bridge |
| PS006PC195-114NB | 6MHz | 19.5 (0.75") Tip Length (Total Length 114mm, 4.5") (45deg Crank Shank) | 2.34 | Bridge |
| Please see matrix below for other options, specials available on request. | | | | |

Other

45deg Crank Probe Example: **PS200PC195-114NB**

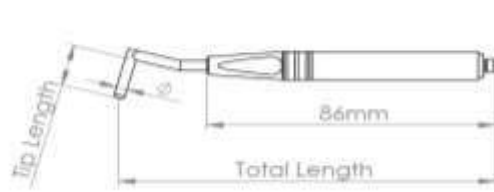
| PS | Centre Frequency | Handle | Tip Type | Tip Length (mm) - Total Length (mm) | Tip Diameter (mm) |
|------------|------------------|------------------|----------------|---|--|
| 200 | 200kHz | P Plastic | C Crank | 195-114 = Tip Length 19.5mm - Total Length 114mm (4.5") | NB = Normal (200kHz = Dia 4.45mm) |
| 500 | 500kHz | | | 195-127 = Tip Length 19.5mm - Total Length 127mm (5.0") | NB = Normal (500kHz = Dia 4.45mm) |
| 002 | 2MHz | | | 195-152 = Tip Length 19.5mm - Total Length 152mm (6.0") | NB = Normal (2MHz = Dia 3.30mm) |
| 006 | 6MHz | | | 195-203 = Tip Length 19.5mm - Total Length 203mm (8.0") | NB = Normal (6MHz = Dia 2.34mm) |
| | | | | 195-254 = Tip Length 19.5mm - Total Length 254mm (10.0") | FB = Fine (200k = Dia 3.30mm) |
| | | | | 195-305 = Tip Length 19.5mm - Total Length 305mm (12.0") | FB = Fine (500kHz = Dia 3.30mm) |
| | | | | | FB = Fine (2MHz = Dia 2.34mm) |

Other variants available on request.

Leads to fit above probes:

| ETHer NDE Part No. | Description | Instrument | Connector Instrument End | Connector Probe End | Cable Length | Configuration |
|-----------------------|-------------|---|--------------------------|---------------------|--------------|---------------|
| ALFTRI-L04-015 | Lead | Victor/Veritor | Fischer Triax | Lemo 4-Way Plug | 1.5m | Bridge |
| ALL12-L04-015B | Lead | WeldCheck/ AeroCheck/ Vantage/ETI/Hocking | Lemo 12-Way | Lemo 4-Way Plug | 1.5m | Bridge |
| ALL07-L04-015B | Lead | Hocking | Lemo 7-Way | Lemo 4-Way Plug | 1.5m | Bridge |

15deg Crank 90deg Tip - Absolute with plastic handle coding:



Standard

| ETHer NDE Part No. | Centre Frequency | Tip Length (Total Length) | ØTip | Type |
|--|------------------|--|-------------|----------|
| Probe, Shielded, Plastic Handle, Double crank | | | | |
| PS200PD050-114N | 200kHz | 5.0 (MIN) Tip Length (Total Length 114mm, 4.5") (15deg Crank, 90deg tip Shank) | 4.45 | Absolute |
| PS200PD027-114F | 200kHz | 2.7 (MIN) Tip Length (Total Length 114mm, 4.5") (15deg Crank, 90deg tip Shank) | 3.30 (Fine) | Absolute |
| PS500PD050-114N | 500kHz | 5.0 (MIN) Tip Length (Total Length 114mm, 4.5") (15deg Crank, 90deg tip Shank) | 4.45 | Absolute |
| PS500PD027-114F | 500kHz | 2.7 (MIN) Tip Length (Total Length 114mm, 4.5") (15deg Crank, 90deg tip Shank) | 3.30 (Fine) | Absolute |
| PS002PD027-114N | 2MHz | 2.7 (MIN) Tip Length (Total Length 114mm, 4.5") (15deg Crank, 90deg tip Shank) | 3.30 | Absolute |
| PS002PD017-114F | 2MHz | 1.7 (MIN) Tip Length (Total Length 114mm, 4.5") (15deg Crank, 90deg tip Shank) | 2.34 (Fine) | Absolute |
| PS006PD017-114N | 6MHz | 1.7 (MIN) Tip Length (Total Length 114mm, 4.5") (15deg Crank, 90deg tip Shank) | 2.34 | Absolute |

Please see matrix below for other options, specials available on request.

Other

15deg Crank 90deg Tip Probe Example: **PS200PD050-114N**

| PS | Centre Frequency | Handle | Tip Type | Tip Length (mm) - Total Length (mm) | Tip Diameter (mm) |
|-----------|------------------|----------|----------|--|----------------------------------|
| PS | 200 | P | D | 050-114 | N |
| | 200 = 200kHz | Plastic | Double | 050-114 = Tip Length 5mm - Total Length 114mm (4.5") | N = Normal (200kHz = Dia 4.45mm) |
| | 500 = 500kHz | | crank | 050-127 = Tip Length 5mm - Total Length 127mm (5.0") | N = Normal (500kHz = Dia 4.45mm) |
| | | | | 050-152 = Tip Length 5mm - Total Length 152mm (6.0") | |
| | | | | 050-203 = Tip Length 5mm - Total Length 203mm (8.0") | |
| | | | | 050-254 = Tip Length 5mm - Total Length 254mm (10.0") | |
| | | | | 050-305 = Tip Length 5mm - Total Length 305mm (12.0") | |
| | | | | 064-114 = Tip Length 6.4mm - Total Length 114mm (4.5") | |
| | | | | 064-127 = Tip Length 6.4mm - Total Length 127mm (5.0") | |
| | | | | 064-152 = Tip Length 6.4mm - Total Length 152mm (6.0") | |
| | | | | 064-203 = Tip Length 6.4mm - Total Length 203mm (8.0") | |
| | | | | 064-254 = Tip Length 6.4mm - Total Length 254mm (10.0") | |
| | | | | 064-305 = Tip Length 6.4mm - Total Length 305mm (12.0") | |
| | | | | 127-114 = Tip Length 12.7mm - Total Length 114mm (4.5") | |
| | | | | 127-127 = Tip Length 12.7mm - Total Length 127mm (5.0") | |
| | | | | 127-152 = Tip Length 12.7mm - Total Length 152mm (6.0") | |
| | | | | 127-203 = Tip Length 12.7mm - Total Length 203mm (8.0") | |
| | | | | 127-254 = Tip Length 12.7mm - Total Length 254mm (10.0") | |
| | | | | 127-305 = Tip Length 12.7mm - Total Length 305mm (12.0") | |
| | | | | 190-114 = Tip Length 19.0mm - Total Length 114mm (4.5") | |
| | | | | 190-127 = Tip Length 19.0mm - Total Length 127mm (5.0") | |

| Centre Frequency | Handle | Tip Type | Tip Length (mm) - Total Length (mm) | Tip Diameter (mm) | |
|---|---------|----------|---|---|--|
| 200 = 200kHz | Plastic | Double | 190-152 = Tip Length 19.0mm - Total Length 152mm (6.0") | N = Normal (200kHz = Dia 4.45mm) | |
| | | | 500 = 500kHz | | 190-203 = Tip Length 19.0mm - Total Length 203mm (8.0") |
| | | | 190-254 = Tip Length 19.0mm - Total Length 254mm (10.0") | | |
| | | | 190-305 = Tip Length 19.0mm - Total Length 305mm (12.0") | | |
| | | | 245-114 = Tip Length 25.4mm - Total Length 114mm (4.5") | | |
| | | | 254-127 = Tip Length 25.4mm - Total Length 127mm (5.0") | | |
| | | | 254-152 = Tip Length 25.4mm - Total Length 152mm (6.0") | | |
| | | | 254-203 = Tip Length 25.4mm - Total Length 203mm (8.0") | | |
| | | | 254-254 = Tip Length 25.4mm - Total Length 254mm (10.0") | | |
| | | | 254-305 = Tip Length 25.4mm - Total Length 305mm (12.0") | | |
| 200 = 200kHz | Plastic | Double | 027-114 = Tip Length 2.7mm - Total Length 114mm (4.5") | F = Fine (200k = Dia 3.30mm) | |
| | | | 500 = 500kHz | | 027-127 = Tip Length 2.7mm - Total Length 127mm (5.0") |
| | | | 002 = 2MHz | | 027-152 = Tip Length 2.7mm - Total Length 152mm (6.0") |
| | | | 027-203 = Tip Length 2.7mm - Total Length 203mm (8.0") | | |
| | | | 027-254 = Tip Length 2.7mm - Total Length 254mm (10.0") | | |
| | | | 027-305 = Tip Length 2.7mm - Total Length 305mm (12.0") | | |
| | | | 064-114 = Tip Length 6.4mm - Total Length 114mm (4.5") | | |
| | | | 064-127 = Tip Length 6.4mm - Total Length 127mm (5.0") | | |
| | | | 064-152 = Tip Length 6.4mm - Total Length 152mm (6.0") | | |
| | | | 064-203 = Tip Length 6.4mm - Total Length 203mm (8.0") | | |
| 064-254 = Tip Length 6.4mm - Total Length 254mm (10.0") | | | | | |
| 064-305 = Tip Length 6.4mm - Total Length 305mm (12.0") | | | | | |
| 127-114 = Tip Length 12.7mm - Total Length 114mm (4.5") | | | | | |
| 127-127 = Tip Length 12.7mm - Total Length 127mm (5.0") | | | | | |
| 127-152 = Tip Length 12.7mm - Total Length 152mm (6.0") | | | | | |
| 127-203 = Tip Length 12.7mm - Total Length 203mm (8.0") | | | | | |
| 127-254 = Tip Length 12.7mm - Total Length 254mm (10.0") | | | | | |
| 127-305 = Tip Length 12.7mm - Total Length 305mm (12.0") | | | | | |
| 190-114 = Tip Length 19.0mm - Total Length 114mm (4.5") | | | | | |
| 190-127 = Tip Length 19.0mm - Total Length 127mm (5.0") | | | | | |
| 190-152 = Tip Length 19.0mm - Total Length 152mm (6.0") | | | | | |
| 190-203 = Tip Length 19.0mm - Total Length 203mm (8.0") | | | | | |
| 190-254 = Tip Length 19.0mm - Total Length 254mm (10.0") | | | | | |
| 190-305 = Tip Length 19.0mm - Total Length 305mm (12.0") | | | | | |
| 245-114 = Tip Length 25.4mm - Total Length 114mm (4.5") | | | | | |
| 254-127 = Tip Length 25.4mm - Total Length 127mm (5.0") | | | | | |
| 254-152 = Tip Length 25.4mm - Total Length 152mm (6.0") | | | | | |
| 254-203 = Tip Length 25.4mm - Total Length 203mm (8.0") | | | | | |
| 254-254 = Tip Length 25.4mm - Total Length 254mm (10.0") | | | | | |
| 254-305 = Tip Length 25.4mm - Total Length 305mm (12.0") | | | | | |
| 002 = 2MHz | Plastic | Double | 027-114 = Tip Length 2.7mm - Total Length 114mm (4.5") | F = Fine (2MHz = Dia 2.34mm) | |
| 006 = 6MHz | | | crank | | 027-127 = Tip Length 2.7mm - Total Length 127mm (5.0") |
| 027-152 = Tip Length 2.7mm - Total Length 152mm (6.0") | | | | | |
| 027-203 = Tip Length 2.7mm - Total Length 203mm (8.0") | | | | | |
| 027-254 = Tip Length 2.7mm - Total Length 254mm (10.0") | | | | | |
| 027-305 = Tip Length 2.7mm - Total Length 305mm (12.0") | | | | | |

15deg Crank 90deg Tip - Bridge (IB Tech Inside) with plastic handle coding:



Standard

| ETHer NDE Part No. | Centre Frequency | Tip Length (Total Length) | ØTip | Type |
|--|------------------|--|-------------|--------|
| Probe, Shielded, Plastic Handle, Double crank | | | | |
| PS200PD050-114NB | 200kHz | 5.0 (MIN) Tip Length (Total Length 114mm, 4.5") (15deg Crank, 90deg tip Shank) | 4.45 | Bridge |
| PS200PD027-114FB | 200kHz | 2.7 (MIN) Tip Length (Total Length 114mm, 4.5") (15deg Crank, 90deg tip Shank) | 3.30 (Fine) | Bridge |
| PS500PD050-114NB | 500kHz | 5.0 (MIN) Tip Length (Total Length 114mm, 4.5") (15deg Crank, 90deg tip Shank) | 4.45 | Bridge |
| PS500PD027-114FB | 500kHz | 2.7 (MIN) Tip Length (Total Length 114mm, 4.5") (15deg Crank, 90deg tip Shank) | 3.30 (Fine) | Bridge |
| PS002PD027-114NB | 2MHz | 2.7 (MIN) Tip Length (Total Length 114mm, 4.5") (15deg Crank, 90deg tip Shank) | 3.30 | Bridge |
| PS002PD017-114FB | 2MHz | 1.7 (MIN) Tip Length (Total Length 114mm, 4.5") (15deg Crank, 90deg tip Shank) | 2.34 (Fine) | Bridge |
| PS006PD017-114NB | 6MHz | 1.7 (MIN) Tip Length (Total Length 114mm, 4.5") (15deg Crank, 90deg tip Shank) | 2.34 | Bridge |

Please see matrix below for other options, specials available on request.

Other

15deg Crank 90deg Tip Probe Example: PS200PD050-114NB

| PS | Centre Frequency | Handle | Tip Type | Tip Length (mm) - Total Length (mm) | Tip Diameter (mm) |
|-----------|------------------|----------|----------|--|-----------------------------------|
| PS | 200 | P | D | 050-114 | NB |
| | 200 = 200kHz | Plastic | Double | 050-114 = Tip Length 5mm - Total Length 114mm (4.5") | NB = Normal (200kHz = Dia 4.45mm) |
| | 500 = 500kHz | | crank | 050-127 = Tip Length 5mm - Total Length 127mm (5.0") | NB = Normal (500kHz = Dia 4.45mm) |
| | | | | 050-152 = Tip Length 5mm - Total Length 152mm (6.0") | |
| | | | | 050-203 = Tip Length 5mm - Total Length 203mm (8.0") | |
| | | | | 050-254 = Tip Length 5mm - Total Length 254mm (10.0") | |
| | | | | 050-305 = Tip Length 5mm - Total Length 305mm (12.0") | |
| | | | | 064-114 = Tip Length 6.4mm - Total Length 114mm (4.5") | |
| | | | | 064-127 = Tip Length 6.4mm - Total Length 127mm (5.0") | |
| | | | | 064-152 = Tip Length 6.4mm - Total Length 152mm (6.0") | |
| | | | | 064-203 = Tip Length 6.4mm - Total Length 203mm (8.0") | |
| | | | | 064-254 = Tip Length 6.4mm - Total Length 254mm (10.0") | |
| | | | | 064-305 = Tip Length 6.4mm - Total Length 305mm (12.0") | |
| | | | | 127-114 = Tip Length 12.7mm - Total Length 114mm (4.5") | |
| | | | | 127-127 = Tip Length 12.7mm - Total Length 127mm (5.0") | |
| | | | | 127-152 = Tip Length 12.7mm - Total Length 152mm (6.0") | |
| | | | | 127-203 = Tip Length 12.7mm - Total Length 203mm (8.0") | |
| | | | | 127-254 = Tip Length 12.7mm - Total Length 254mm (10.0") | |
| | | | | 127-305 = Tip Length 12.7mm - Total Length 305mm (12.0") | |
| | | | | 190-114 = Tip Length 19.0mm - Total Length 114mm (4.5") | |
| | | | | 190-127 = Tip Length 19.0mm - Total Length 127mm (5.0") | |

| Centre Frequency | Handle | Tip Type | Tip Length (mm) - Total Length (mm) | Tip Diameter (mm) | | | | |
|---------------------|---|---|--|---|---|---|--|--|
| 200 = 200kHz | Plastic | Double | 190-152 = Tip Length 19.0mm - Total Length 152mm (6.0") | NB = Normal (200kHz = Dia 4.45mm) | | | | |
| 500 = 500kHz | | | crank | | 190-203 = Tip Length 19.0mm - Total Length 203mm (8.0") | NB = Normal (500kHz = Dia 4.45mm) | | |
| | | | | | 190-254 = Tip Length 19.0mm - Total Length 254mm (10.0") | | | |
| | | | | | 190-305 = Tip Length 19.0mm - Total Length 305mm (12.0") | | | |
| | | | | | 245-114 = Tip Length 25.4mm - Total Length 114mm (4.5") | | | |
| | | | | | 254-127 = Tip Length 25.4mm - Total Length 127mm (5.0") | | | |
| | | | | | 254-152 = Tip Length 25.4mm - Total Length 152mm (6.0") | | | |
| | | 254-203 = Tip Length 25.4mm - Total Length 203mm (8.0") | | | | | | |
| | | 254-254 = Tip Length 25.4mm - Total Length 254mm (10.0") | | | | | | |
| | | 254-305 = Tip Length 25.4mm - Total Length 305mm (12.0") | | | | | | |
| 200 = 200kHz | | Plastic | Double | 027-114 = Tip Length 2.7mm - Total Length 114mm (4.5") | FB = Fine (200k = Dia 3.30mm) | | | |
| 500 = 500kHz | | | | crank | | 027-127 = Tip Length 2.7mm - Total Length 127mm (5.0") | FB = Fine (500kHz = Dia 3.30mm) | |
| 002 = 2MHz | | | | | | 027-152 = Tip Length 2.7mm - Total Length 152mm (6.0") | | NB = Normal (2MHz = Dia 3.30mm) |
| | | | | | | 027-203 = Tip Length 2.7mm - Total Length 203mm (8.0") | | |
| | 027-254 = Tip Length 2.7mm - Total Length 254mm (10.0") | | | | | | | |
| | 027-305 = Tip Length 2.7mm - Total Length 305mm (12.0") | | | | | | | |
| | 064-114 = Tip Length 6.4mm - Total Length 114mm (4.5") | | | | | | | |
| | 064-127 = Tip Length 6.4mm - Total Length 127mm (5.0") | | | | | | | |
| | 064-152 = Tip Length 6.4mm - Total Length 152mm (6.0") | | | | | | | |
| | 064-203 = Tip Length 6.4mm - Total Length 203mm (8.0") | | | | | | | |
| | 064-254 = Tip Length 6.4mm - Total Length 254mm (10.0") | | | | | | | |
| | 064-305 = Tip Length 6.4mm - Total Length 305mm (12.0") | | | | | | | |
| | 127-114 = Tip Length 12.7mm - Total Length 114mm (4.5") | | | | | | | |
| | 127-127 = Tip Length 12.7mm - Total Length 127mm (5.0") | | | | | | | |
| | 127-152 = Tip Length 12.7mm - Total Length 152mm (6.0") | | | | | | | |
| | 127-203 = Tip Length 12.7mm - Total Length 203mm (8.0") | | | | | | | |
| | 127-254 = Tip Length 12.7mm - Total Length 254mm (10.0") | | | | | | | |
| | 127-305 = Tip Length 12.7mm - Total Length 305mm (12.0") | | | | | | | |
| | 190-114 = Tip Length 19.0mm - Total Length 114mm (4.5") | | | | | | | |
| | 190-127 = Tip Length 19.0mm - Total Length 127mm (5.0") | | | | | | | |
| | 190-152 = Tip Length 19.0mm - Total Length 152mm (6.0") | | | | | | | |
| | 190-203 = Tip Length 19.0mm - Total Length 203mm (8.0") | | | | | | | |
| | 190-254 = Tip Length 19.0mm - Total Length 254mm (10.0") | | | | | | | |
| | 190-305 = Tip Length 19.0mm - Total Length 305mm (12.0") | | | | | | | |
| | 245-114 = Tip Length 25.4mm - Total Length 114mm (4.5") | | | | | | | |
| | 254-127 = Tip Length 25.4mm - Total Length 127mm (5.0") | | | | | | | |
| | 254-152 = Tip Length 25.4mm - Total Length 152mm (6.0") | | | | | | | |
| | 254-203 = Tip Length 25.4mm - Total Length 203mm (8.0") | | | | | | | |
| | 254-254 = Tip Length 25.4mm - Total Length 254mm (10.0") | | | | | | | |
| | 254-305 = Tip Length 25.4mm - Total Length 305mm (12.0") | | | | | | | |
| 002 = 2MHz | Plastic | Double | 027-114 = Tip Length 2.7mm - Total Length 114mm (4.5") | FB = Fine (2MHz = Dia 2.34mm) | | | | |
| 006 = 6MHz | | | crank | | 027-127 = Tip Length 2.7mm - Total Length 127mm (5.0") | NB = Normal (6MHz = Dia 2.34mm) | | |
| | | | | | 027-152 = Tip Length 2.7mm - Total Length 152mm (6.0") | | | |
| | | | | | 027-203 = Tip Length 2.7mm - Total Length 203mm (8.0") | | | |
| | | | | | 027-254 = Tip Length 2.7mm - Total Length 254mm (10.0") | | | |
| | 027-305 = Tip Length 2.7mm - Total Length 305mm (12.0") | | | | | | | |

| | | | | |
|-------------------|----------------|---------------|---|--|
| 002 = 2MHz | Plastic | Double | 027-305 = Tip Length 2.7mm - Total Length 305mm (12.0") | |
| 006 = 6MHz | | crank | 064-114 = Tip Length 6.4mm - Total Length 114mm (4.5") | FB = Fine (2MHz = Dia 2.34mm) |
| | | | 064-127 = Tip Length 6.4mm - Total Length 127mm (5.0") | NB = Normal (6MHz = Dia 2.34mm) |
| | | | 064-152 = Tip Length 6.4mm - Total Length 152mm (6.0") | |
| | | | 064-203 = Tip Length 6.4mm - Total Length 203mm (8.0") | |
| | | | 064-254 = Tip Length 6.4mm - Total Length 254mm (10.0") | |
| | | | 064-305 = Tip Length 6.4mm - Total Length 305mm (12.0") | |
| | | | 127-114 = Tip Length 12.7mm - Total Length 114mm (4.5") | |
| | | | 127-127 = Tip Length 12.7mm - Total Length 127mm (5.0") | |
| | | | 127-152 = Tip Length 12.7mm - Total Length 152mm (6.0") | |
| | | | 127-203 = Tip Length 12.7mm - Total Length 203mm (8.0") | |
| | | | 127-254 = Tip Length 12.7mm - Total Length 254mm (10.0") | |
| | | | 127-305 = Tip Length 12.7mm - Total Length 305mm (12.0") | |
| | | | 190-114 = Tip Length 19.0mm - Total Length 114mm (4.5") | |
| | | | 190-127 = Tip Length 19.0mm - Total Length 127mm (5.0") | |
| | | | 190-152 = Tip Length 19.0mm - Total Length 152mm (6.0") | |
| | | | 190-203 = Tip Length 19.0mm - Total Length 203mm (8.0") | |
| | | | 190-254 = Tip Length 19.0mm - Total Length 254mm (10.0") | |
| | | | 190-305 = Tip Length 19.0mm - Total Length 305mm (12.0") | |
| | | | 245-114 = Tip Length 25.4mm - Total Length 114mm (4.5") | |
| | | | 254-127 = Tip Length 25.4mm - Total Length 127mm (5.0") | |
| | | | 254-152 = Tip Length 25.4mm - Total Length 152mm (6.0") | |
| | | | 254-203 = Tip Length 25.4mm - Total Length 203mm (8.0") | |
| | | | 254-254 = Tip Length 25.4mm - Total Length 254mm (10.0") | |
| | | | 254-305 = Tip Length 25.4mm - Total Length 305mm (12.0") | |

Other variants available on request.

Leads to fit above probes:

| ETHer NDE Part No. | Description | Instrument | Connector Instrument End | Connector Probe End | Cable Length | Configuration |
|-----------------------|-------------|---|--------------------------|---------------------|--------------|---------------|
| ALFTRI-L04-015 | Lead | Victor/Veritor | Fischer Triax | Lemo 4-Way Plug | 1.5m | Bridge |
| ALL12-L04-015B | Lead | WeldCheck/ AeroCheck/ Vantage/ETi/Hocking | Lemo 12-Way | Lemo 4-Way Plug | 1.5m | Bridge |
| ALL07-L04-015B | Lead | Hocking | Lemo 7-Way | Lemo 4-Way Plug | 1.5m | Bridge |

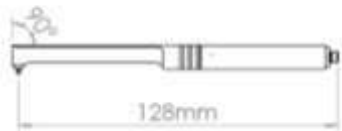
Thread Inspection Probes (Unshielded) - Absolute

Pencil Type

Straight - External Threads (Bolts):



90deg Crank - External and Internal Threads (Bolts and Nuts):



65deg Crank – Internal Thread (Nuts):



Application:

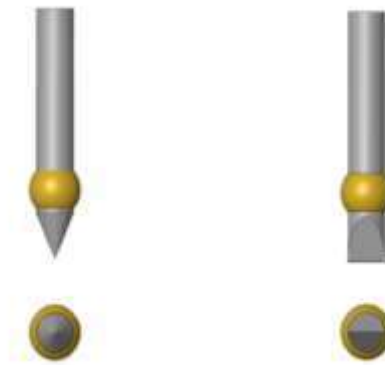
Unshielded Absolute thread inspection probes – for crack detection in external and internal threads.

Specification:

- Micro connector
- Centre frequency range - 200kHz 500kHz, 2MHz
- Operating range – 200kHz (50kHz – 600kHz), 500kHz (150kHz – 1.5MHz), 2MHz – (650kHz – 6MHz)
- Used on Fe & NFe applications
- Disconnectable

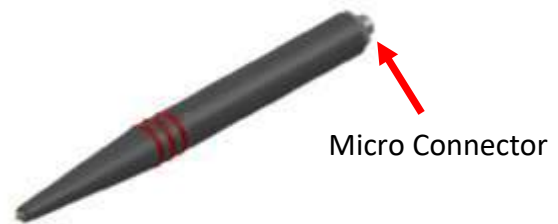
Notes:

This range of probes comes with either a pointed or chiselled tip.



Probe Coding:

Straight - External Threads (Bolts)



| ETHer NDE Part No. | Description | Centre Frequency | Tip Shape |
|--|--|------------------|-----------|
| Probe, Thread, External (Straight), Pointed/Chiselled | | | |
| PTE200PNFE | Probe, Thread, External, 200kHz, Pointed, NFE, Unshielded. | 200kHz | Pointed |
| PTE200PFE | Probe, Thread, External, 200kHz, Pointed, FE, Unshielded. | 200kHz | Pointed |
| PTE200CNFE | Probe, Thread, External, 200kHz, Chisel, NFE, Unshielded. | 200kHz | Chisel |
| PTE200CFE | Probe, Thread, External, 200kHz, Chisel, FE, Unshielded. | 200kHz | Chisel |
| PTE500PNFE | Probe, Thread, External, 500kHz, Pointed, NFE, Unshielded. | 500kHz | Pointed |
| PTE500PFE | Probe, Thread, External, 500kHz, Pointed, FE, Unshielded. | 500kHz | Pointed |
| PTE500CNFE | Probe, Thread, External, 500kHz, Chisel, NFE, Unshielded. | 500kHz | Chisel |
| PTE500CFE | Probe, Thread, External, 500kHz, Chisel, FE, Unshielded. | 500kHz | Chisel |
| PTE002PNFE | Probe, Thread, External, 2MHz, Pointed, NFE, Unshielded. | 2MHz | Pointed |
| PTE002PFE | Probe, Thread, External, 2MHz, Pointed, FE, Unshielded. | 2MHz | Pointed |
| PTE002CNFE | Probe, Thread, External, 2MHz, Chisel, NFE, Unshielded. | 2MHz | Chisel |
| PTE002CFE | Probe, Thread, External, 2MHz, Chisel, FE, Unshielded. | 2MHz | Chisel |
| Other options available on request. | | | |

90deg Crank - External and Internal Threads (Bolts and Nuts)



| ETHer NDE Part No. | Description | Centre Frequency | Tip Shape |
|---|--|------------------|-----------|
| Probe, Thread, Right Angled, Pointed/Chiselled | | | |
| PTR200PNFE | Probe, Thread, 90 deg, 200kHz, Pointed, NFE, Unshielded. | 200kHz | Pointed |
| PTR200PFE | Probe, Thread, 90 deg, 200kHz, Pointed, FE, Unshielded. | 200kHz | Pointed |
| PTR200CNFE | Probe, Thread, 90 deg, 200kHz, Chisel, NFE, Unshielded. | 200kHz | Chisel |
| PTR200CFE | Probe, Thread, 90 deg, 200kHz, Chisel, FE, Unshielded. | 200kHz | Chisel |
| PTR500PNFE | Probe, Thread, 90 deg, 500kHz, Pointed, NFE, Unshielded. | 500kHz | Pointed |
| PTR500PFE | Probe, Thread, 90 deg, 500kHz, Pointed, FE, Unshielded. | 500kHz | Pointed |
| PTR500CNFE | Probe, Thread, 90 deg, 500kHz, Chisel, NFE, Unshielded. | 500kHz | Chisel |
| PTR500CFE | Probe, Thread, 90 deg, 500kHz, Chisel, FE, Unshielded. | 500kHz | Chisel |
| PTR002PNFE | Probe, Thread, 90 deg, 2MHz, Pointed, NFE, Unshielded. | 2MHz | Pointed |
| PTR002PFE | Probe, Thread, 90 deg, 2MHz, Pointed, FE, Unshielded. | 2MHz | Pointed |
| PTR002CNFE | Probe, Thread, 90 deg, 2MHz, Chisel, NFE, Unshielded. | 2MHz | Chisel |
| PTR002CFE | Probe, Thread, 90 deg, 2MHz, Chisel, FE, Unshielded. | 2MHz | Chisel |
| Other options available on request. | | | |

65deg Crank – Internal Thread (Nuts)



| ETHer NDE Part No. | Description | Centre Frequency | Tip Shape |
|--|--|------------------|-----------|
| Probe, Thread, Internal 65 deg, Pointed/Chiselled | | | |
| PTI200PNFE | Probe, Thread, Internal 65deg, 200kHz, Pointed, NFE, Unshielded. | 200kHz | Pointed |
| PTI200PFE | Probe, Thread, Internal 65deg, 200kHz, Pointed, FE, Unshielded. | 200kHz | Pointed |
| PTI200CNFE | Probe, Thread, Internal 65deg, 200kHz, Chisel, NFE, Unshielded. | 200kHz | Chisel |
| PTI200CFE | Probe, Thread, Internal 65deg, 200kHz, Chisel, FE, Unshielded. | 200kHz | Chisel |
| PTI500PNFE | Probe, Thread, Internal 65deg, 200kHz, Pointed, NFE, Unshielded. | 500kHz | Pointed |
| PTI500PFE | Probe, Thread, Internal 65deg, 500kHz, Pointed, FE, Unshielded. | 500kHz | Pointed |
| PTI500CNFE | Probe, Thread, Internal 65deg, 500kHz, Chisel, NFE, Unshielded. | 500kHz | Chisel |

| | | | |
|-------------------------------------|--|--------|---------|
| PTI500CFE | Probe, Thread, Internal 65deg, 500kHz, Chisel, FE, Unshielded. | 500kHz | Chisel |
| PTI002PNFE | Probe, Thread, Internal 65deg, 2MHz, Pointed, NFE, Unshielded. | 2MHz | Pointed |
| PTI002PFE | Probe, Thread, Internal 65deg, 2MHz, Pointed, FE, Unshielded. | 2MHz | Pointed |
| PTI002CNFE | Probe, Thread, Internal 65deg, 2MHz, Chisel, NFE, Unshielded. | 2MHz | Chisel |
| PTI002CFE | Probe, Thread, Internal 65deg, 2MHz, Chisel, FE, Unshielded. | 2MHz | Chisel |
| Other options available on request. | | | |

Leads to fit above probes:

| ETHer NDE Part No. | Description | Instrument | Connector Instrument End | Connector Probe End | Cable Length | Configuration |
|-----------------------|-------------|---------------------|--------------------------|---------------------|--------------|---------------|
| ALLCX-M02-015A | Lead | Weld/AeroCheck /ETi | Lemo Coaxial | Micro Plug | 1.5m | Absolute |
| ALL12-M02-015A | Lead | Hocking | Lemo 12-Way | Micro Plug | 1.5m | Absolute |
| ALB02-M02-015A | Lead | Various | BNC Plug | Micro Plug | 1.5m | Absolute |

Saddle and Plug - Thread Inspection Probes

Threaded sections can be inspected using a dedicated probe which can be supplied to fit either external or internal threads precisely.



External Thread Probe



Internal Thread Plug Probe

External threads can be inspected with a Saddle probe with a thread cut into the concave surface. The coil is fitted into the thread section to allow inspection to be carried out with very little probe wobble. A Saddle probe can be in the shape of a segment to screw along the thread like a nut.

Internal threaded sections can be inspected with a threaded Plug probe with a sensor moulded into the threaded area. The Plug probe is then simply moved along the thread, in the area of interest, to ensure 100% inspection.

Saddle and Plug probes are manufactured to order. A sample of the threaded section is usually required as a pattern for making probes.

Broad Band Probes – Absolute/Bridge

Absolute



BNC Connector

Bridge



Lemo 4-Way

Application:

Absolute unshielded broad band probes - for general purpose inspection of surface breaking defects and metallurgy variations and to estimate coating (Paint) thickness.

Bridge unshielded broad band probes – ETHER NDE newly developed “IB Tech Inside” absolute intrinsically balanced technology which further improves the signal to noise ratio of conventional absolute probes giving a significant improvement in inspection reliability, uses Lemo 4-Way connector.

Specification:

- Broad range with centre frequency – 5kHz, 20kHz, 100kHz, 500kHz, 2MHz
- Plastic Handle with neoprene grip
- Connector – BNC for absolute and Lemo 4-Way for bridge (IB Tech Inside)

Notes:

A range of balance loads also available for use with some impedance plane instruments.

Absolute Probe Coding:

| ETHer NDE Part No. | Description | Centre Frequency | Frequency Range | Type/Connector |
|--------------------------------------|-------------------------------------|------------------|-----------------|---------------------|
| Probe, Unshielded, Broad Band | | | | |
| PUB2M | Probe, Unshielded, Broad Band, 2MHz | 2MHz (5.6uH) | 500kHz - 4MHz | Absolute/BNC Socket |
| PUB500K | Probe, Unshielded, Broad Band, 500k | 500kHz (22uH) | 150kHz - 1MHz | Absolute/BNC Socket |
| PUB100K | Probe, Unshielded, Broad Band, 100k | 100kHz (82uH) | 35kHz - 250kHz | Absolute/BNC Socket |
| PUB20K | Probe, Unshielded, Broad Band, 20k | 20kHz (390uH) | 7kHz - 60kHz | Absolute/BNC Socket |
| PUB5K | Probe, Unshielded, Broad Band, 5k | 5kHz (1500uH) | 2kHz - 15kHz | Absolute/BNC Socket |

Leads to fit above probes:

| ETHer NDE Part No. | Description | Instrument | Connector Instrument End | Connector Probe End | Cable Length | Configuration |
|-----------------------|-------------|---|--------------------------|---------------------|--------------|---------------|
| ALLCX-M02-015A | Lead | WeldCheck/ AeroCheck/Vantage/ETi | Lemo Coaxial | BNC Plug | 1.5m | Absolute |
| ALL12-B02-015A | Lead | WeldCheck/ AeroCheck/ Vantage/ETi/Hocking | Lemo 12-Way | BNC Plug | 1.5m | Absolute |
| ALL07-B02-015A | Lead | Hocking | Lemo 7-Way | BNC Plug | 1.5m | Absolute |
| ALB02-B02-015A | Lead | Various | BNC Plug | BNC Plug | 1.5m | Absolute |

Bridge Probe Coding:

| ETHer NDE Part No. | Description | Centre Frequency | Frequency Range | Type/Connector |
|--------------------------------------|-------------------------------------|------------------|-----------------|-------------------|
| Probe, Unshielded, Broad Band | | | | |
| PUB2MB | Probe, Unshielded, Broad Band, 2MHz | 2MHz (5.6uH) | 500kHz - 4MHz | Bridge/Lemo 4-Way |
| PUB500KB | Probe, Unshielded, Broad Band, 500k | 500kHz (22uH) | 150kHz - 1MHz | Bridge/Lemo 4-Way |
| PUB100KB | Probe, Unshielded, Broad Band, 100k | 100kHz (82uH) | 35kHz - 250kHz | Bridge/Lemo 4-Way |
| PUB20KB | Probe, Unshielded, Broad Band, 20k | 20kHz (390uH) | 7kHz - 60kHz | Bridge/Lemo 4-Way |
| PUB5KB | Probe, Unshielded, Broad Band, 5k | 5kHz (1500uH) | 2kHz - 15kHz | Bridge/Lemo 4-Way |

Leads to fit above probes:

| ETHer NDE Part No. | Description | Instrument | Connector Instrument End | Connector Probe End | Cable Length | Configuration |
|-----------------------|-------------|---|--------------------------|---------------------|--------------|---------------|
| ALFTRI-L04-015 | Lead | Victor/Veritor | Fischer Triax | Lemo 4-Way Plug | 1.5m | Bridge |
| ALL12-L04-015B | Lead | WeldCheck/ AeroCheck/ Vantage/ETi/ Hocking | Lemo 12-Way | Lemo 4-Way Plug | 1.5m | Bridge |
| ALL07-L04-015B | Lead | Hocking | Lemo 7-Way | Lemo 4-Way Plug | 1.5m | Bridge |

Rotating Probes - Reflection

Rigid Stainless Steel



Delrin Flexible



Application:

Differential Rotating Probes - for internal diameter inspection of bore holes, countersinks and counter bores.

Specification:

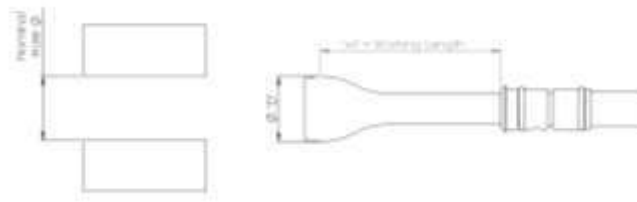
- Probe diameters from 1.6 to 50mm, available in 0.01mm steps
- Fischer connector to ETher Small and Large drive also compatible with Hocking, GE, Rohmann and Forster drive units.
- Frequency range from 200kHz to 2MHz
- Comes in rigid stainless steel and delrin flexible options

Notes:

When ordering rotating probes 0.1mm is automatically taken off probe diameter during manufacture, this should be good for typical hole condition and manufacturing tolerances. Where tolerances are poor allow for greater clearance.

Example: To inspect a $\varnothing 12.7$ (1/2") hole a $\varnothing 12.7$ probe should be ordered which will be manufactured to a $\varnothing 12.6$.

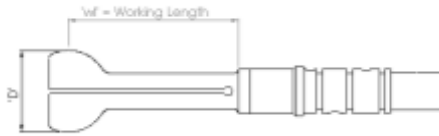
Rigid Stainless Steel Coding



| ETHer NDE Part No. | Description | Nominal Hole Dia " | Nominal Hole Dia mm | 'wl' - Working Length mm |
|---------------------------|---|--------------------|---------------------|--------------------------|
| Imperial Examples: | | | | |
| PRR0159-035 | Probe. Rotating, Rigid, Dia = 1.59mm (1/16"), wl = 35mm | 1/16" | 1.59 | 35.0 |
| PRR0198-035 | Probe. Rotating, Rigid, Dia = 1.98mm (5/64"), wl = 35mm | 5/64" | 1.98 | 35.0 |
| PRR0238-035 | Probe. Rotating, Rigid, Dia = 2.38mm (3/32"), wl = 35mm | 3/32" | 2.38 | 35.0 |
| PRR0278-035 | Probe. Rotating, Rigid, Dia = 2.78mm (7/64"), wl = 35mm | 7/64" | 2.87 | 35.0 |
| PRR0318-035 | Probe. Rotating, Rigid, Dia = 3.18mm (1/8"), wl = 35mm | 1/8" | 3.18 | 35.0 |
| PRR0357-035 | Probe. Rotating, Rigid, Dia = 3.57mm (9/64"), wl = 35mm | 9/64" | 3.57 | 35.0 |
| PRR0397-035 | Probe. Rotating, Rigid, Dia = 3.97mm (5/32"), wl = 35mm | 5/32" | 3.97 | 35.0 |
| PRR0437-035 | Probe. Rotating, Rigid, Dia = 4.37mm (11/64"), wl = 35mm | 11/64" | 4.37 | 35.0 |
| PRR0476-035 | Probe. Rotating, Rigid, Dia = 4.76mm (3/16"), wl = 35mm | 3/16" | 4.76 | 35.0 |
| PRR0516-035 | Probe. Rotating, Rigid, Dia = 5.16mm (13/64"), wl = 35mm | 13/64" | 5.16 | 35.0 |
| PRR0556-035 | Probe. Rotating, Rigid, Dia = 5.56mm (7/32"), wl = 35mm | 7/32" | 5.56 | 35.0 |
| PRR0595-035 | Probe. Rotating, Rigid, Dia = 5.95mm (15/64"), wl = 35mm | 15/64" | 5.95 | 35.0 |
| PRR0635-035 | Probe. Rotating, Rigid, Dia = 6.35mm (1/4"), wl = 35mm | 1/4" | 6.35 | 35.0 |
| PRR0675-035 | Probe. Rotating, Rigid, Dia = 6.75mm (17/64"), wl = 35mm | 17/64" | 6.75 | 35.0 |
| PRR0714-035 | Probe. Rotating, Rigid, Dia = 7.14mm (9/32"), wl = 35mm | 9/32" | 7.14 | 35.0 |
| PRR0754-035 | Probe. Rotating, Rigid, Dia = 7.54mm (19/64"), wl = 35mm | 19/64" | 7.54 | 35.0 |
| PRR0794-035 | Probe. Rotating, Rigid, Dia = 7.94mm (5/16"), wl = 35mm | 5/16" | 7.94 | 35.0 |
| PRR0833-035 | Probe. Rotating, Rigid, Dia = 8.33mm (13/64"), wl = 35mm | 21/64" | 8.33 | 35.0 |
| PRR0873-035 | Probe. Rotating, Rigid, Dia = 8.73mm (11/32"), wl = 35mm | 11/32" | 8.73 | 35.0 |
| PRR0913-035 | Probe. Rotating, Rigid, Dia = 9.13mm (23/64"), wl = 35mm | 23/64" | 9.13 | 35.0 |
| PRR0953-035 | Probe. Rotating, Rigid, Dia = 9.53mm (3/8"), wl = 35mm | 3/8" | 9.53 | 35.0 |
| PRR0992-035 | Probe. Rotating, Rigid, Dia = 9.92mm (25/64"), wl = 35mm | 25/64" | 9.92 | 35.0 |
| PRR1032-035 | Probe. Rotating, Rigid, Dia = 10.32mm (13/32"), wl = 35mm | 13/32" | 10.32 | 35.0 |
| PRR1072-035 | Probe. Rotating, Rigid, Dia = 10.72mm (27/64"), wl = 35mm | 27/64" | 10.72 | 35.0 |
| PRR1111-035 | Probe. Rotating, Rigid, Dia = 11.11mm (7/16"), wl = 35mm | 7/16" | 11.11 | 35.0 |
| PRR1151-035 | Probe. Rotating, Rigid, Dia = 11.51mm (29/64"), wl = 35mm | 29/64" | 11.51 | 35.0 |
| PRR1191-035 | Probe. Rotating, Rigid, Dia = 11.91mm (15/32"), wl = 35mm | 15/32" | 11.91 | 35.0 |
| PRR1230-035 | Probe. Rotating, Rigid, Dia = 12.30mm (31/64"), wl = 35mm | 31/64" | 12.30 | 35.0 |
| PRR1270-035 | Probe. Rotating, Rigid, Dia = 12.70mm (1/2") wl = 35mm | 1/2" | 12.70 | 35.0 |
| PRR1310-065 | Probe. Rotating, Rigid, Dia = 13.10mm (33/64") wl = 65mm | 33/64" | 13.10 | 65.0 |
| PRR1350-065 | Probe. Rotating, Rigid, Dia = 13.50mm (17/32") wl = 65mm | 17/32" | 13.50 | 65.0 |
| PRR1390-065 | Probe. Rotating, Rigid, Dia = 13.90mm (35/64") wl = 65mm | 35/64" | 13.9 | 65.0 |
| PRR1430-065 | Probe. Rotating, Rigid, Dia = 14.30mm (9/16") wl = 65mm | 9/16" | 14.3 | 65.0 |
| PRR1470-065 | Probe. Rotating, Rigid, Dia = 14.70mm (37/64") wl = 65mm | 37/64" | 14.7 | 65.0 |
| PRR1510-065 | Probe. Rotating, Rigid, Dia = 15.10mm (19/32") wl = 65mm | 19/32" | 15.1 | 65.0 |
| PRR1550-065 | Probe. Rotating, Rigid, Dia = 15.50mm (39/64") wl = 65mm | 39/64" | 15.5 | 65.0 |
| PRR1590-065 | Probe. Rotating, Rigid, Dia = 15.90mm (5/8") wl = 65mm | 5/8" | 15.9 | 65.0 |
| PRR1630-065 | Probe. Rotating, Rigid, Dia = 16.30mm (41/64") wl = 65mm | 41/64" | 16.3 | 65.0 |
| PRR1670-065 | Probe. Rotating, Rigid, Dia = 16.70mm (21/32") wl = 65mm | 21/32" | 16.7 | 65.0 |
| PRR1710-065 | Probe. Rotating, Rigid, Dia = 17.10mm (43/64") wl = 65mm | 43/64" | 17.1 | 65.0 |
| PRR1750-065 | Probe. Rotating, Rigid, Dia = 17.50mm (11/16") wl = 65mm | 11/16" | 17.5 | 65.0 |

| ETHer NDE Part No. | Description | Nominal Hole Dia " | Nominal Hole Dia mm | 'wl' - Working Length mm |
|--|--|---------------------------|----------------------------|---------------------------------|
| PRR1790-065 | Probe. Rotating, Rigid, Dia = 17.90mm (45/64") wl = 65mm | 45/64" | 17.9 | 65.0 |
| PRR1830-065 | Probe. Rotating, Rigid, Dia = 18.30mm (23/32") wl = 65mm | 23/32" | 18.3 | 65.0 |
| PRR1870-065 | Probe. Rotating, Rigid, Dia = 18.70mm (47/64") wl = 65mm | 47/64" | 18.7 | 65.0 |
| PRR1910-065 | Probe. Rotating, Rigid, Dia = 19.10mm (3/4") wl = 65mm | 3/4" | 19.1 | 65.0 |
| PRR1950-065 | Probe. Rotating, Rigid, Dia = 19.50mm (49/64") wl = 65mm | 49/64" | 19.5 | 65.0 |
| PRR1980-065 | Probe. Rotating, Rigid, Dia = 19.80mm (25/32") wl = 65mm | 25/32" | 19.8 | 65.0 |
| PRR2020-065 | Probe. Rotating, Rigid, Dia = 20.20mm (51/64") wl = 65mm | 51/64" | 20.2 | 65.0 |
| PRR2060-065 | Probe. Rotating, Rigid, Dia = 20.60mm (13/16") wl = 65mm | 13/16" | 20.6 | 65.0 |
| PRR2100-065 | Probe. Rotating, Rigid, Dia = 21.00mm (53/64") wl = 65mm | 53/64" | 21.0 | 65.0 |
| PRR2140-065 | Probe. Rotating, Rigid, Dia = 20.20mm (27/32") wl = 65mm | 27/32" | 21.4 | 65.0 |
| PRR2180-065 | Probe. Rotating, Rigid, Dia = 20.20mm (55/64") wl = 65mm | 55/64" | 21.8 | 65.0 |
| PRR2220-065 | Probe. Rotating, Rigid, Dia = 20.20mm (7/8") wl = 65mm | 7/8" | 22.2 | 65.0 |
| PRR2260-065 | Probe. Rotating, Rigid, Dia = 20.20mm (57/64") wl = 65mm | 57/64" | 22.6 | 65.0 |
| PRR2300-065 | Probe. Rotating, Rigid, Dia = 20.20mm (29/32") wl = 65mm | 29/32" | 23.0 | 65.0 |
| PRR2340-065 | Probe. Rotating, Rigid, Dia = 20.20mm (59/64") wl = 65mm | 59/64" | 23.4 | 65.0 |
| PRR2380-065 | Probe. Rotating, Rigid, Dia = 20.20mm (15/16") wl = 65mm | 15/16" | 23.8 | 65.0 |
| PRR2420-065 | Probe. Rotating, Rigid, Dia = 20.20mm (61/64") wl = 65mm | 61/64" | 24.2 | 65.0 |
| PRR2460-065 | Probe. Rotating, Rigid, Dia = 20.20mm (31/32") wl = 65mm | 31/32" | 24.6 | 65.0 |
| PRR2500-065 | Probe. Rotating, Rigid, Dia = 20.20mm (63/64") wl = 65mm | 63/64" | 25.0 | 65.0 |
| PRR2540-065 | Probe. Rotating, Rigid, Dia = 20.20mm (1.0") wl = 65mm | 1.0 | 25.4 | 65.0 |
| | | | | |
| Metric Examples: | | | | |
| PRR0300-035 | Probe. Rotating, Rigid, Dia = 3.00mm, wl = 35mm | | 3.00 | 35.0 |
| PRR0400-035 | Probe. Rotating, Rigid, Dia = 4.00mm, wl = 35mm | | 4.00 | 35.0 |
| PRR0500-035 | Probe. Rotating, Rigid, Dia = 5.00mm, wl = 35mm | | 5.00 | 35.0 |
| PRR0600-035 | Probe. Rotating, Rigid, Dia = 6.00mm, wl = 35mm | | 6.00 | 35.0 |
| PRR0700-035 | Probe. Rotating, Rigid, Dia = 7.00mm, wl = 35mm | | 7.00 | 35.0 |
| PRR0800-035 | Probe. Rotating, Rigid, Dia = 8.00mm, wl = 35mm | | 8.00 | 35.0 |
| PRR0900-035 | Probe. Rotating, Rigid, Dia = 9.00mm, wl = 35mm | | 9.00 | 35.0 |
| PRR1000-035 | Probe. Rotating, Rigid, Dia = 10.00mm, wl = 35mm | | 10.00 | 35.0 |
| PRR1100-035 | Probe. Rotating, Rigid, Dia = 11.00mm, wl = 35mm | | 11.00 | 35.0 |
| PRR1200-035 | Probe. Rotating, Rigid, Dia = 12.00mm, wl = 35mm | | 12.00 | 35.0 |
| PRR1300-065 | Probe. Rotating, Rigid, Dia = 13.00mm, wl = 65mm | | 13.00 | 65.0 |
| PRR1400-065 | Probe. Rotating, Rigid, Dia = 14.00mm, wl = 65mm | | 14.00 | 65.0 |
| PRR1500-065 | Probe. Rotating, Rigid, Dia = 15.00mm, wl = 65mm | | 15.00 | 65.0 |
| PRR1600-065 | Probe. Rotating, Rigid, Dia = 16.00mm, wl = 65mm | | 16.00 | 65.0 |
| PRR1700-065 | Probe. Rotating, Rigid, Dia = 17.00mm, wl = 65mm | | 17.00 | 65.0 |
| PRR1800-065 | Probe. Rotating, Rigid, Dia = 18.00mm, wl = 65mm | | 18.00 | 65.0 |
| PRR1900-065 | Probe. Rotating, Rigid, Dia = 19.00mm, wl = 65mm | | 19.00 | 65.0 |
| PRR2000-065 | Probe. Rotating, Rigid, Dia = 20.00mm, wl = 65mm | | 20.00 | 65.0 |
| PRR2100-065 | Probe. Rotating, Rigid, Dia = 21.00mm, wl = 65mm | | 21.00 | 65.0 |
| PRR2200-065 | Probe. Rotating, Rigid, Dia = 22.00mm, wl = 65mm | | 22.00 | 65.0 |
| PRR2300-065 | Probe. Rotating, Rigid, Dia = 23.00mm, wl = 65mm | | 23.00 | 65.0 |
| PRR2400-065 | Probe. Rotating, Rigid, Dia = 24.00mm, wl = 65mm | | 24.00 | 65.0 |
| PRR2500-065 | Probe. Rotating, Rigid, Dia = 25.00mm, wl = 65mm | | 25.00 | 65.0 |
| | | | | |
| Other options available on request. | | | | |

Delrin Flexible Coding



| ETHer NDE Part No. | Description | Hole Dia Range mm | Nominal Diameter | 'wl' - Working Length mm |
|-------------------------------------|--|-------------------|-------------------|--------------------------|
| Examples: | | | | |
| PRF040-050051 | Probe. Rotating, Flexible, Dia = 4.0 – 5.0mm, wl = 51.00mm | 4.0-5.0 | 3/16" (4.76mm) | 51 |
| PRF050-060051 | Probe. Rotating, Flexible, Dia = 5.0 – 6.0mm, wl = 51.00mm | 5.0-6.0 | 7/32" (5.56mm) | 51 |
| PRF060-070051 | Probe. Rotating, Flexible, Dia = 6.0 – 7.0mm, wl = 51.00mm | 6.0-7.0 | 1/4" (6.35mm) | 51 |
| PRF070-080051 | Probe. Rotating, Flexible, Dia = 7.0 – 8.0mm, wl = 51.00mm | 7.0-8.0 | 5/16" (7.94mm) | 51 |
| PRF080-090051 | Probe. Rotating, Flexible, Dia = 8.0 – 9.0mm, wl = 51.00mm | 8.0-9.0 | 21/64" (8.33mm) | 51 |
| PRF090-100051 | Probe. Rotating, Flexible, Dia = 9.0 – 10.0mm, wl = 51.00mm | 9.0-10.00 | 3/8" (9.53mm) | 51 |
| PRF100-110051 | Probe. Rotating, Flexible, Dia = 10.0 – 11.0mm, wl = 51.00mm | 10.0-11.00 | 13/32" (10.32mm) | 51 |
| PRF110-120051 | Probe. Rotating, Flexible, Dia = 11.0 – 12.0mm, wl = 51.00mm | 11.0-12.00 | 7/16" (11.11mm) | 51 |
| PRF120-130051 | Probe. Rotating, Flexible, Dia = 12.0 – 13.0mm, wl = 51.00mm | 12.00-13.00 | 1/2" (12.70mm) | 51 |
| PRF130-150051 | Probe. Rotating, Flexible, Dia = 13.0 – 15.0mm, wl = 51.00mm | 13.00 - 15.00 | 9/16" (14.30mm) | 51 |
| PRF150-170051 | Probe. Rotating, Flexible, Dia = 15.0 – 17.0mm, wl = 51.00mm | 15.00 - 17.00 | 5/8" (15.90mm) | 51 |
| PRF170-190051 | Probe. Rotating, Flexible, Dia = 17.0 – 19.0mm, wl = 51.00mm | 17.00 - 19.00 | 11/16" (17.50mm) | 51 |
| PRF190-210051 | Probe. Rotating, Flexible, Dia = 19.0 – 21.0mm, wl = 51.00mm | 19.00 - 21.00 | 3/4" (19.10mm) | 51 |
| PRF210-230051 | Probe. Rotating, Flexible, Dia = 21.0 – 23.0mm, wl = 51.00mm | 21.00 - 23.00 | 7/8" (22.00mm) | 51 |
| PRF230-250051 | Probe. Rotating, Flexible, Dia = 23.0 – 25.0mm, wl = 51.00mm | 23.00 - 25.00 | 15/16" (23.80mm) | 51 |
| PRF250-270051 | Probe. Rotating, Flexible, Dia = 25.0 – 27.0mm, wl = 51.00mm | 25.00 - 27.00 | 1" (25.40mm) | 51 |
| PRF270-290051 | Probe. Rotating, Flexible, Dia = 27.0 – 29.0mm, wl = 51.00mm | 27.00 - 29.00 | 1 1/8" (28.57mm) | 51 |
| PRF290-310051 | Probe. Rotating, Flexible, Dia = 29.0 – 31.0mm, wl = 51.00mm | 29.00 - 31.00 | 1 3/16" (30.17mm) | 51 |
| PRF310-330051 | Probe. Rotating, Flexible, Dia = 31.0 – 33.0mm, wl = 51.00mm | 31.00 - 33.00 | 1 1/4" (31.75mm) | 51 |
| PRF330-350051 | Probe. Rotating, Flexible, Dia = 33.0 – 35.0mm, wl = 51.00mm | 33.00 - 35.00 | 1 3/8" (34.93mm) | 51 |
| PRF350-370051 | Probe. Rotating, Flexible, Dia = 35.0 – 37.0mm, wl = 51.00mm | 35.00 - 37.00 | 1 7/16" (36.51mm) | 51 |
| PRF370-390051 | Probe. Rotating, Flexible, Dia = 37.0 – 39.0mm, wl = 51.00mm | 37.00 - 39.00 | 1 1/2" (38.10mm) | 51 |
| Other options available on request. | | | | |

Manual Bolt Hole Probes - Absolute

Manual Bolt Hole – Dia 3.2 to 11mm



Manual Bolt Hole – Dia 11.5 to 38mm



Application:

For manual internal diameter inspection of bore holes.

Specification:

- All probes have a Delrin Tip
- Connector – Micro for absolute
- Centre frequency/Operating range – 200kHz (50kHz – 600kHz), 500kHz (150kHz – 1.5MHz), 2MHz – (650kHz – 6MHz)

Example: **PB200R070-080**

| Probe, Manual Bolt Hole | Centre Frequency | Shank | Tip Diameter or Range (mm) WL= (mm) | Nominal Diameter |
|-------------------------|------------------|----------|--|------------------|
| PB | 200 | R | 070-080 | |
| | 200 = 200kHz | Rigid | 032 - Dia = 3.2, WL = 76mm | 1/8" |
| | 500 = 500kHz | | 036 - Dia = 3.6, WL = 76mm | 9/64" |
| | 002 = 2MHz | | 039 - Dia = 3.9, WL = 76mm | 5/32" |
| | | | 043 - Dia = 4.3, WL = 76mm | 11/64" |
| | | | 045-055 - Dia = 4.5 - 5.5, WL = 76mm | 3/16" |
| | | | 055-065 - Dia = 5.5 - 6.5, WL = 76mm | 7/32" |
| | | | 060-070 - Dia = 6.0 - 7.0, WL = 76mm | 1/4" |
| | | | 070-080 - Dia = 7.0 - 8.0, WL = 76mm | 9/32" |
| | | | 075-090 - Dia = 7.5 - 9.0, WL = 76mm | 5/16" |
| | | | 085-100 - Dia = 8.5 - 10.0, WL = 76mm | 11/32" |
| | | | 095-110 - Dia = 9.5 - 11.0, WL = 76mm | 3/8" |
| | | | 100-115 - Dia = 10.0 - 11.5, WL = 76mm | 13/32" |
| | | | 110-125 - Dia = 11.0 - 12.5, WL = 76mm | 7/16" |
| | | | 115-130 - Dia = 11.5 - 13.0, WL = 76mm | 15/32" |
| | | | 125-140 - Dia = 12.5 - 14.0, WL = 76mm | 1/2" |
| | | | 130-145 - Dia = 13.0 - 14.5, WL = 76mm | 17/32" |
| | | | 140-155 - Dia = 14.0 - 15.5, WL = 76mm | 9/16" |

| | | | | |
|--|--|--|---|--------|
| | | | 150-165 – Dia = 15.0 – 16.5, WL = 76mm | 19/32" |
| | | | 155-170 – Dia = 15.5 – 17.0, WL = 76mm | 5/8" |
| | | | 165-180 – Dia = 16.5 – 18.0, WL = 76mm | 21/32" |
| | | | 170-185 – Dia = 17.0 – 18.5, WL = 76mm | 11/16" |
| | | | 180-195 – Dia = 18.0 – 19.5, WL = 76mm | 23/32" |
| | | | 190-205 – Dia = 19.0 – 20.5, WL = 76mm | 3/14" |
| | | | 195-210 – Dia = 19.5 – 21.0, WL = 76mm | 25/32" |
| | | | 205-220 – Dia = 20.5 – 22.0, WL = 76mm | 13/16" |
| | | | 210-225 – Dia = 21.0 – 22.5, WL = 76mm | 27/32" |
| | | | 220-235 – Dia = 22.0 – 23.5, WL = 76mm | 7/8" |
| | | | 230-245 – Dia = 23.0 – 24.5, WL = 76mm | 29/32" |
| | | | 235-250 – Dia = 23.5 – 25.0, WL = 76mm | 15/16" |
| | | | 245-260 – Dia = 24.5 – 26.0, WL = 76mm | 31/32" |
| | | | 250-265 – Dia = 25.0 – 26.5, WL = 76mm | 1" |
| | | | 260-275 – Dia = 26.0 – 27.5, WL = 76mm | 33/32" |
| | | | 265-280 – Dia = 26.5 – 28.0, WL = 76mm | 17/16" |
| | | | 275-290 – Dia = 27.5 – 29.0, WL = 76mm | 35/32" |
| | | | 285-300 – Dia = 28.5 – 30.0, WL = 76mm | 9/8" |
| | | | 290-305 – Dia = 29.0 – 30.5, WL = 76mm | 37/32" |
| | | | 300-315 – Dia = 30.0 – 31.5, WL = 76mm | 19/16" |
| | | | 305-320 – Dia = 30.5 – 32.0, WL = 76mm | 39/32" |
| | | | 315-330 – Dia = 31.5 – 33.0, WL = 76mm | 5/4" |
| | | | 325-340 – Dia = 32.5 – 34.0, WL = 76mm | 41/32" |
| | | | 330-345 – Dia = 33.0 – 34.5, WL = 76mm | 21/16" |
| | | | 340-355 – Dia = 34.0 – 35.5, WL = 76mm | 43/32" |
| | | | 345-360 – Dia = 34.5 – 36.0, WL = 76mm | 11/8" |
| | | | 355-370 – Dia = 35.5 – 37.0, WL = 76mm | 45/32" |
| | | | 365-380 – Dia = 36.5 – 38.0, WL = 76mm | 23/16" |
| | | | 370-385 – Dia = 37.0 – 38.5, WL = 76mm | 47/32" |
| | | | 380-395 – Dia = 38.0 – 39.5, WL = 76mm | 1.5" |

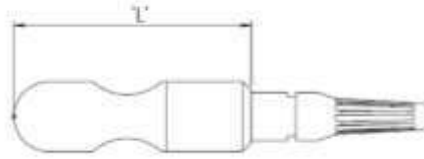
Other variants available on request.

Leads to fit above probes:

| ETHer NDE Part No. | Description | Instrument | Connector Instrument End | Connector Probe End | Cable Length | Configuration |
|-----------------------|-------------|--------------------------------|--------------------------|---------------------|--------------|---------------|
| ALLCX-M02-015A | Lead | Vantage/ETi/ Weld/AeroCheck | Lemo Coaxial | Micro Plug | 1.5m | Absolute |
| ALL12-M02-015A | Lead | Hocking | Lemo 12- Way | Micro Plug | 1.5m | Absolute |
| ALL07-M02-015A | Lead | Hocking | Lemo 7- Way | Micro Plug | 1.5m | Absolute |
| ALB02-M02-015A | Lead | Various | BNC Plug | Micro Plug | 1.5m | Absolute |

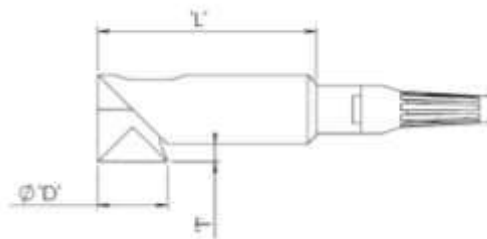
Standard Weld Probes - Bridge

Straight



| Type | D' = Dia (mm) | L' = Length (mm) |
|--------|---------------|------------------|
| Small | 11 | 47.5 |
| Medium | 16 | 55 |
| Large | 32 | 76.5 |

90deg Inline



90deg Transverse



| Type | D' = Dia (mm) | L' = Length (mm) | T' = Tip Drop |
|--------|---------------|------------------|---------------|
| Small | 11 | 36.5 | 10.3 |
| Medium | 16 | 50 | 4.1 |
| Large | 32 | 128 | 21.1 |

Application:

Differential Weld probes - for in-service inspection of welded structures.

Specification:

- Straight, 90deg Inline, 90deg Right Angle
- Diameters, 11.0 (Small), 16 (Medium), 32mm (Large)
- Disconnectable and integral probe cables
- Cable lengths from 1.5 to 50meters
- Frequency range 100kHz, 20kHz, 100-600kHz
- Minimal lift off signal, can find cracks though paint, oil and conductive and non-conductive coatings
- Made from hard wearing PET
- Stainless steel and ceramic tips available on request

Notes:

100kHz probes used on standard ferrous welds

100-600kHz probe can be used on Aluminium and Stainless Steel welds

20kHz probe can be used on multi-surface applications and Duplex

Standard Weld Probe Coding System

PWS100S015L12

| | |
|------|--|
| PW | Probe Weld (Plastic) |
| S | Dia 11.0mm (Small) |
| M | Dia 16.0mm (Medium) |
| L | Dia 32.0mm (Large) |
| 100 | 100kHz (Standard) |
| 020 | 20kHz Enhanced |
| 106 | 100-600kHz Multi-surface (Aluminium and Stainless Steel welds) |
| S | Straight |
| I | 90 deg Inline |
| R | 90 deg Transverse |
| 000 | Disconnect (See page 36) |
| 015 | 1.5m Cable |
| 050 | 5.0m Cable |
| 100 | 10.0m Cable |
| 500 | 50.0m Cable |
| 1000 | 1000.0m Cable |
| L7 | 7 Way Lemo – Hocking Locator |
| L12 | 12 Way Lemo – WeldCheck/AeroCheck/Vantage G2, ETi |
| J6 | 6 Way Jaeger – Hocking QuickCheck, 1.1 |
| A4 | 4-way Amphenol – Zetec |
| C3 | 3-way Cannon - |
| L14 | 14 Way Lemo - Vantage G1 |
| W | Water Proof (see page 37) |
| C | Ceramic (High Temp) (see page 38) |
| S | Stainless Steel Tip (see page 38) |

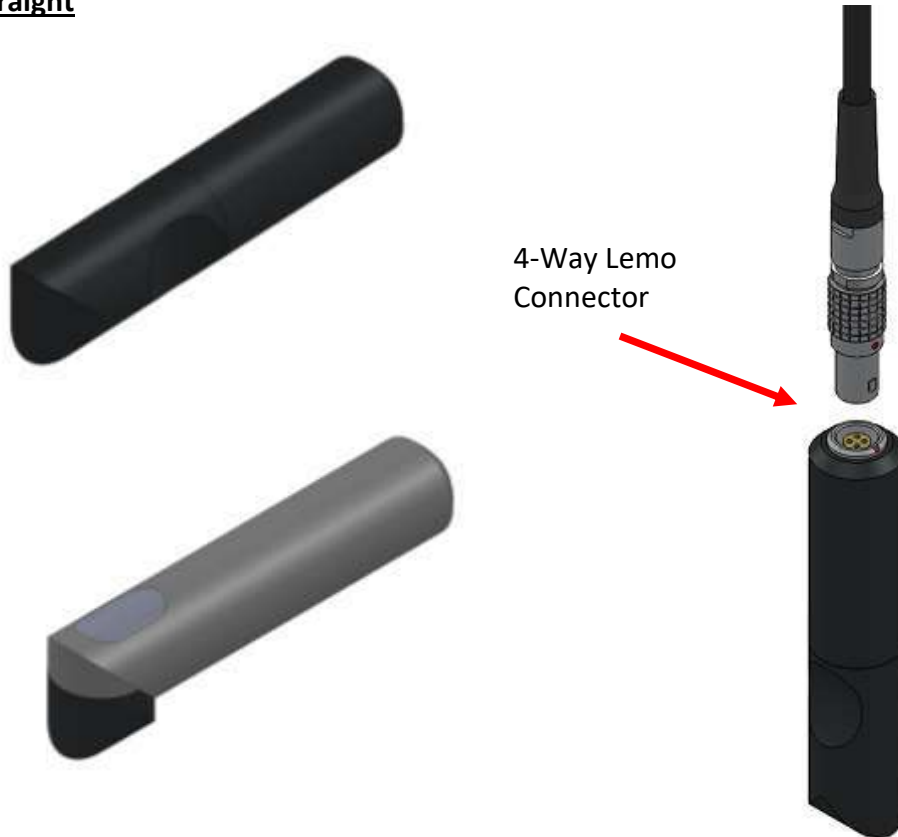
Example: PWS100S015L12

Part Number: Probe, Weld, Dia. 11.0mm (Small),
100kHz, Straight,
1.5m Cable, Lemo 12-Way.

Other options available on request.

Disconnect Weld Probes - Bridge

Straight



Notes:

- A full range of disconnectable weld probes available for quick interchange.
- Simply select “000” to probe part number as shown on weld probe coding system on previous page.

Example Probe Coding:

| ETHer NDE Part No. | Description | Centre Frequency | Configuration |
|--------------------------------------|---|------------------|---------------------|
| Probe, Unshielded, Broad Band | | | |
| PWS100S000 | Probe, Weld, Small (11.00mm), Straight, Disconnect | 100kHz | Bridge – Lemo 4-Way |
| PWM100S000 | Probe, Weld, Medium (16.00mm), Straight, Disconnect | 100kHz | Bridge – Lemo 4-Way |
| PWL100S000 | Probe, Weld, Large (32.00mm), Straight, Disconnect | 100kHz | Bridge – Lemo 4-Way |

Leads to fit above probes:

| ETHer NDE Part No. | Description | Instrument | Connector Instrument End | Connector Probe End | Cable Length | Configuration |
|-----------------------|-------------|---|--------------------------|---------------------|--------------|---------------|
| ALFTRI-L04-015 | Lead | Victor/Veritor | Fischer Triax | Lemo 4-Way Plug | 1.5m | Bridge |
| ALL12-L04-015B | Lead | WeldCheck/ AeroCheck/ Vantage/ETi/ Hocking | Lemo 12-Way | Lemo 4-Way Plug | 1.5m | Bridge |
| ALL07-L04-015B | Lead | Hocking | Lemo 7-Way | Lemo 4-Way Plug | 1.5m | Bridge |

Under Water Weld Probes - Bridge



Application:

- Under water In-service inspection of welded structures, max length 100meters.

Probe Coding:

| ETHer NDE Part No. | Description | Frequency | Type |
|------------------------|---|-----------|--------|
| PWM100S500L12W | Probe, Weld, Medium, Dia 16.00, 100kHz, Straight, 50m Cable, Lemo 12-Way, Water Proof | 100kHz | Bridge |
| PWM100S500J6W | Probe, Weld, Medium, Dia 16.00, 100kHz, Straight, 50m Cable, Jaeger 6-Way, Water Proof | 100kHz | Bridge |
| PWL100S500L12W | Probe, Weld, Large, Dia 32.00, 100kHz, Straight, 50m Cable, Lemo 12-Way, Water Proof | 100kHz | Bridge |
| PWL100S500J6W | Probe, Weld, Large, Dia 32.00, 100kHz, Straight, 50m Cable, Jaeger 6-Way, Water Proof | 100kHz | Bridge |
| PWM100S1000L12W | Probe, Weld, Medium, Dia 16.00, 100kHz, Straight, 100m Cable, Lemo 12-Way, Water Proof | 100kHz | Bridge |
| PWM100S1000J6W | Probe, Weld, Medium, Dia 16.00, 100kHz, Straight, 100m Cable, Jaeger 6-Way, Water Proof | 100kHz | Bridge |
| PWL100S1000L12W | Probe, Weld, Large, Dia 32.00, 100kHz, Straight, 100m Cable, Lemo 12-Way, Water Proof | 100kHz | Bridge |
| PWL100S1000J6W | Probe, Weld, Large, Dia 32.00, 100kHz, Straight, 100m Cable, Jaeger 6-Way, Water Proof | 100kHz | Bridge |

Other options available on request.

High Temp Ceramic Tipped Weld Probes - Bridge

Straight

90deg Inline

90deg Transverse



Application:

- In-service inspection of welded structures, works to a touch temperature of 200degC.
- Simply add a "C" to the end of a standard probe part number as shown on page 34.

Example: PWS100S015L12C
Part Number: Probe, Weld, Dia. 11.0mm (Small), 100kHz, Straight,
1.5m Cable, Lemo 12-Way, Ceramic Tip, (High Temp)

Stainless Steel Tipped Weld Probes - Bridge

Straight

90deg Inline

90deg Transverse



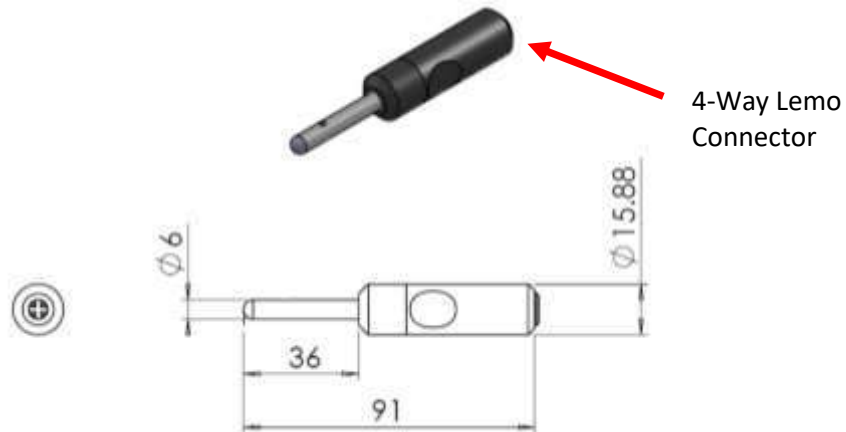
Application:

- In-service inspection of welded structures, with high wear resistance.
- Simply add a "S" to the end of a standard probe part number as shown on page 34, also available in disconnect options.

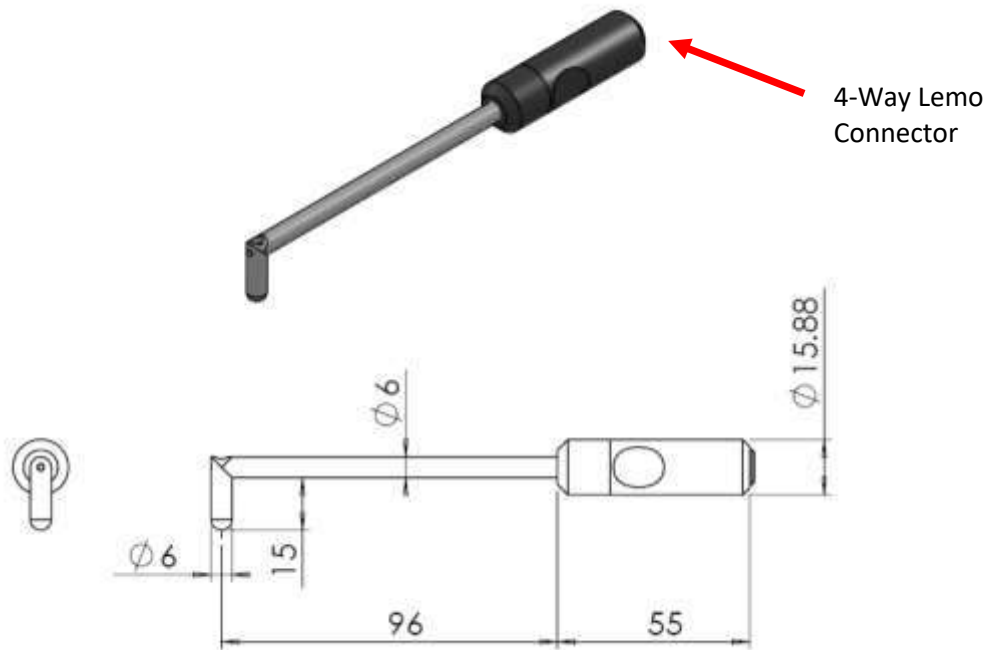
Example: PWS100S015L12S
Part Number: Probe, Weld, Dia. 11.0mm (Small), 100kHz, Straight,
1.5m Cable, Lemo 12-Way, St Steel Tip

Miniature Weld Probes - Bridge

Straight – PW002



90deg Inline – PW001



Application:

- In-service inspection of welded structures, 100kHz, for those hard to reach/confined space inspection areas.

Leads to fit above probes:

| ETHer NDE Part No. | Description | Instrument | Connector Instrument End | Connector Probe End | Cable Length | Configuration |
|-----------------------|-------------|---|--------------------------|---------------------|--------------|---------------|
| ALFTRI-L04-015 | Lead | Victor/Veritor | Fischer Triax | Lemo 4-Way Plug | 1.5m | Bridge |
| ALL12-L04-015B | Lead | WeldCheck/ AeroCheck/ Vantage/ETi/ Hocking | Lemo 12-Way | Lemo 4-Way Plug | 1.5m | Bridge |
| ALL07-L04-015B | Lead | Hocking | Lemo 7-Way | Lemo 4-Way Plug | 1.5m | Bridge |

Weld Probe Kits



Weld Probe Standard Kit to fit WeldCheck/AeroCheck Range:

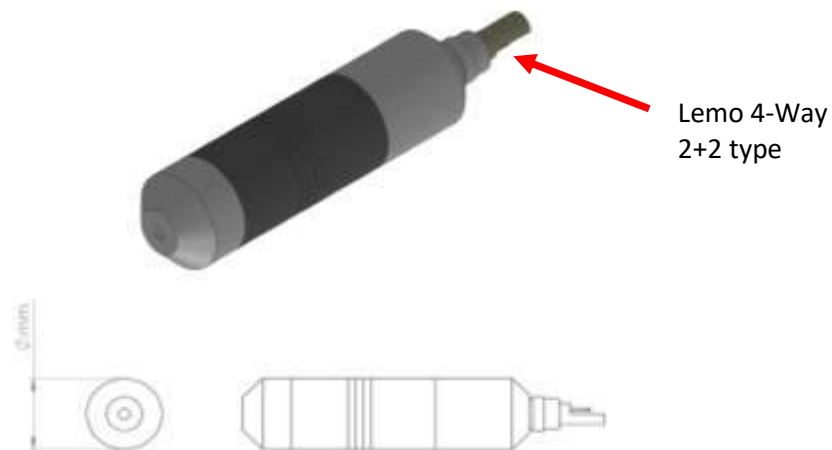
| ETHer NDE Part No. | Description |
|----------------------------------|--|
| Kit Part Number: KAWEL001 | |
| Includes: | |
| PWM100S00 | Probe, Weld, Dia 16.00mm (Medium) 100kHz, Straight, Disconnect |
| PUB100k | Probe, Unshielded, Broad Band, 100k (35kHz-250kHz), BNC |
| ATBW | Accessory, Test Block, Weld Probe, Ferrous (Steel EN1A) + 4 x 0.5mm Shims, 0.5, 1.0, 2.0mm slots |
| ALL12-L04-015B | Accessory, Lead, Lemo 12-Way - Lemo 4-Way, 1.5m (Bridge) |
| ALLCX-B02-015A | Accessory, Lead. Lemo 00 to BNC, 1.5m (Vantage) |
| AW003 | Accessory, Butterfly PTFE Tape (Pack of 30) |
| AC002 | Accessory, Deluxe Probe Case PHDC1 |



Weld Probe Advanced Kit to fit WeldCheck/AeroCheck Range:

| ETHer NDE Part No. | Description |
|----------------------------------|--|
| Kit Part Number: KAWEL002 | |
| Includes: | |
| PWS100S000 | Probe, Weld, Dia 11.00mm (Small) 100kHz, Straight, Disconnect |
| PWM100M000 | Probe, Weld, Dia 16.00mm (Medium) 100kHz, Straight, Disconnect |
| PUB100k | Probe, Unshielded, Broad Band, 100k (35kHz-250kHz), BNC |
| ATB016 | Test Block WeldCheck Demo Crack Specimen - Plate with two cracks, Type A and C - Toe and Cap Plates are 4" x4", 1/4" thick with false ground crown. Standard crack size 1/4" Long x 0.040" deep. |
| ATBW | Accessory, Test Block, Weld Probe, Ferrous (Steel EN1A) + 4 x 0.5mm Shims, 0.5, 1.0, 2.0mm slots |
| ALL12-L04-015B | Accessory, Lead, Lemo 12-Way - Lemo 4-Way, 1.5m (Bridge) |
| ALLCX-B02-015A | Accessory, Lead. Lemo 00 to BNC, 1.5m |
| AW003 | Accessory, Butterfly PTFE Tape (Pack of 30) |
| AC007 | Accessory, Hard Peli 1120 Carry Case |

Internal Diameter (ID) Probes - Bridge



Application:

Differential ID probes - for internal diameter tube inspection, ideal for inspecting tubular heat exchangers.

Specification:

- Probe diameters from 7.5 to 150mm, available in 0.1mm steps
- Dis-connectable and integral probe cables
- Cable lengths from 3.0 to 30meters
- Frequency range from 2.7 kHz to 1MHz, centre frequencies 2.7, 10, 24, 76, 190, 400kHz.

Notes:

When ordering ID probes allow 0.8 to 1.5mm less than the tube diameter, this should be good for typical tube condition and manufacturing tolerances. Where tolerances are poor allow for greater clearance, tape can be used were necessary to reduce probe 'wobble'.

ID Probe Coding System

PID212L20R24k

| | |
|------|---|
| PI | Probe Internal Diameter |
| D | Differential (Bridge) |
| 091 | Dia 9.1mm |
| 212 | Dia 21.2mm |
| D | Disconnectable (Standard - For probes diameters between 11.5mm and 55.0mm) |
| E | Disconnectable (For probes diameters above 55.0mm) |
| J | Jaeger 6-Way |
| L | Lemo 12-Way |
| M | Lemo 7-Way |
| N | Lemo 16-Way |
| Z | 4-way Amphenol |
| 03 | 3.0m Cable |
| 05 | 5.0m Cable |
| 10 | 10.0m Cable |
| 20 | 20.0m Cable (Standard) |
| 30 | 30.0m Cable |
| 00 | Disconnect |
| F | Flexible |
| R | Rigid Push/Pull (The minimum size of Rigid integral ID probes is 8.5mm; probes below this size require a flexible integral cable) |
| 2.7k | 2k7 |
| 10k | 10kHz |
| 24k | 24kHz |
| 190k | 190kHz |
| 400k | 400kHz |

Example Part Number: PID212L20R24k

Description: Probe, Internal Diameter, Differential, Dia 21.2mm, Lemo 12-Way, 20meters, Rigid Push/Pull, 24kHz

Other options available on request.

ID Dis-connectable Cable Coding System

CIDL20R

CI Cable Internal Diameter

D Differential (Bridge)

J Jaeger 6-Way

L Lemo 12-Way

M Lemo 7-Way

Z 4-way Amphenol

03 3.0m Cable

05 5.0m Cable

10 10.0m Cable

20 20.0m Cable (Standard)

30 30.0m Cable

F Flexible

R Rigid Push/Pull

(Only For probes diameters above 55.0mm add a

E on the end)

Example Part Number: CIDL20R

Description: Cable, Internal Diameter, Differential, Lemo 12-Way, 20meters,
Rigid Push/Pull.

Other options available on request.



Rigid Push/Pull



Lemo 4-Way
2+2 type



Flexible

Standard Heat Exchanger Tube Sizes:

Recommended ID probe diameters for different tube sizes:

These sizes are chosen to give a probe diameter between 0.8 and 1.5mm less than the tube internal diameter, more clearance being allowed for larger diameters. This should be acceptable for typical conditions of tube condition and manufacturing tolerances. If these are particularly poor then a greater clearance (ie. smaller probe size) should be chosen, with tape being used as necessary to reduce probe "wobble". With tube in "as manufactured" condition larger probe size may be possible.

The table shows the calculated internal diameter of the tube, and the suggested probe size.

The following limitations apply:

- The minimum size for detachable ID probes is 11.5mm; probes below this require integral cables
- Detachable ID probe diameters over 55.0mm must be of the selections code type E
- The minimum size of Rigid integral ID probes is 8.5mm; probes below this size require a flexible integral cable

| O/D | ½" | 5/8" | ¾" | 7/8" | 1" | 1 1/8" |
|------------------|--------|---------|---------|---------|--------|---------|
| T | 12.7mm | 15.88mm | 19.05mm | 22.23mm | 25.4mm | 28.58mm |
| 12 BWG 2.77mm | 7.16 | 10.34 | 13.51 | 16.69 | 19.86 | 23.04 |
| 13 BWG 2.41mm | 7.88 | 11.06 | 14.13 | 17.41 | 20.58 | 23.76 |
| 14 BWG 2.11mm | 8.48 | 11.65 | 14.83 | 18.01 | 21.18 | 24.36 |
| 15 BWG 1.83mm | 9.04 | 12.22 | 15.39 | 18.57 | 21.74 | 24.92 |
| 16 BWG 1.65mm | 9.4 | 12.58 | 15.75 | 18.93 | 22.1 | 25.28 |
| 17 BWG 1.47mm | 9.76 | 12.94 | 16.11 | 19.29 | 22.46 | 25.64 |
| 18 BWG 1.24mm | 10.22 | 13.40 | 16.57 | 19.75 | 22.92 | 26.1 |
| 19 BWG 1.07mm | 10.56 | 13.74 | 16.91 | 20.09 | 23.26 | 26.44 |
| 20 BWG 0.89mm | 10.92 | 14.1 | 17.27 | 20.45 | 23.62 | 26.8 |
| 21 BWG 0.81mm | 11.09 | 14.26 | 17.43 | 20.61 | 23.78 | 26.96 |
| 22 BWG 0.71mm | 11.28 | 14.46 | 17.63 | 20.81 | 22.98 | 27.16 |

ID Probe Frequency Table:

Quick estimation of test frequency in kHz for given tube material and wall thickness

| BWG | 24 | 22 | 20 | -- | 18 | -- | 16 | -- | 14 | 12 | 10 |
|--------------------------------------|------|------|------|------|------|------|------|------|------|------|------|
| thou. Inch | 022 | 028 | 035 | 040 | 049 | 060 | 065 | 080 | 083 | 109 | 134 |
| mm | 0.56 | 0.71 | 0.89 | 1.02 | 1.24 | 1.24 | 1.65 | 2.00 | 2.11 | 2.77 | 3.40 |
| Titanium 6A1-4V 1.1% IACS | 1500 | 930 | 592 | 470 | 305 | 208 | 170 | 117 | 105 | 61 | 41 |
| Inconel 600 1.67% IACS | 985 | 613 | 390 | 309 | 200 | 137 | 115 | 77 | 69 | 40 | 27 |
| 304 Stainless 2.5% IACS | 660 | 410 | 260 | 206 | 134 | 92 | 76 | 52 | 46 | 27 | 18 |
| Titanium 3.6% IACS | 460 | 285 | 181 | 143 | 93 | 63 | 53 | 36 | 32 | 19 | 12 |
| 70/30 Copper Nickel 5.0% IACS | 330 | 205 | 130 | 103 | 67 | 46 | 38 | 26 | 23 | 14 | 9 |
| 90/10 Copper Nickel 11.9% IACS | 140 | 86 | 55 | 43 | 28 | 19 | 16 | 10.8 | 9.7 | 5.6 | 3.8 |
| Aluminium Bronze 13% IACS | 126 | 79 | 50 | 40 | 26 | 18 | 15 | 9.9 | 8.9 | 5.2 | 3.4 |
| Admiralty Brass 25% IACS | 66 | 41 | 26 | 21 | 13 | 9.2 | 7.6 | 5.2 | 4.6 | 2.7 | 1.8 |
| Brass (70/30 Cu-Zn) 28% IACS | 59 | 36 | 23 | 18 | 12 | 8.2 | 6.8 | 4.6 | 4.1 | 2.4 | 1.6 |
| Brass (85/15) 37% IACS | 44 | 28 | 17 | 14 | 9 | 6.2 | 5.1 | 3.5 | 3.1 | 1.8 | 1.2 |
| Brass (95/5) 55% IACS | 30 | 19 | 12 | 9.4 | 6.1 | 4.2 | 3.4 | 2.4 | 2.1 | 1.2 | 0.8 |
| Copper 100% IACS | 16 | 10 | 6.5 | 5.2 | 3.4 | 2.3 | 1.9 | 1.3 | 1.2 | 0.7 | 0.5 |

Spot Face Low Frequency Probes



Application:

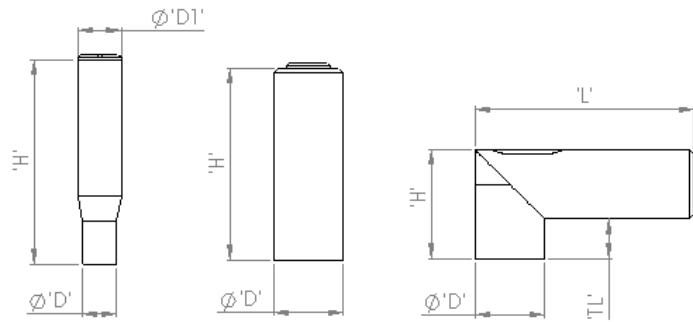
Reflection sub surface probes - for general purpose inspection of sub-surface corrosion and flaws. This probe has excellent depth penetration making it ideal for multi-layer inspections.

Specification:

- Broad frequency ranges
- Excellent low frequency performance
- Integrated 4-way Lemo connector
- Built in balance coils
- Right angled probes are intrinsically balanced

Notes:

The lower the frequency the deeper the depth of penetration.



| | 'D' mm | 'D1' mm | 'H' mm | 'L' mm | 'TL' mm |
|--------------|--------|---------|--------|--------|---------|
| Straight | | | | | |
| PUS07 | 7 | 10 | 47 | | |
| PUS08 | 8 | 10 | 47 | | |
| PUS11 | 11 | | 44 | | |
| PUS13 | 13 | | 44 | | |
| PUS16 | 16 | | 44 | | |
| PUS24 | 24 | | 57 | | |
| PUS32 | 32 | | 59 | | |
| Right Angled | | | | | |
| PUR11 | 11 | | 22.6 | 50 | 11.5 |
| PUR13 | 13 | | 21.5 | 50 | 8.15 |
| PUR16 | 16 | | 25 | 50 | 9.11 |
| PUR24 | 24 | | 33.80 | 58 | 10.10 |

Probe Coding:

| ETHer NDE Part No. | Description | ϕ | Body Material | Frequency Range | Connector |
|---------------------------------|---------------------------|--------|---------------|-----------------|------------|
| Probe, Surface, Straight | | | | | |
| PUS07 | Probe, Surface, Straight, | 7mm | St Steel | 1kHz – 100kHz | Lemo 4-Way |
| PUS08 | Probe, Surface, Straight, | 8mm | St Steel | 1kHz – 100kHz | Lemo 4-Way |
| PUS11 | Probe, Surface, Straight, | 11mm | Acetal | 300Hz – 100KHz | Lemo 4-Way |
| PUS13 | Probe, Surface, Straight, | 13mm | Acetal | 200Hz – 200KHz | Lemo 4-Way |
| PUS16 | Probe, Surface, Straight, | 16mm | Acetal | 300Hz – 100kHz | Lemo 4-Way |
| PUS24 | Probe, Surface, Straight, | 24mm | Acetal | 80Hz – 60KHz | Lemo 4-Way |
| PUS32 | Probe, Surface, Straight, | 32mm | Acetal | 80Hz – 60KHz | Lemo 4-Way |

| ETHer NDE Part No. | Description | ϕ | Body Material | Frequency Range | Connector |
|-------------------------------------|-------------------------------|--------|---------------|-----------------|------------|
| Probe, Surface, Right Angled | | | | | |
| PUR11 | Probe, Surface, Right Angled, | 11mm | Acetal | 300Hz – 200KHz | Lemo 4-Way |
| PUR13 | Probe, Surface, Right Angled, | 13mm | Acetal | 200Hz – 200KHz | Lemo 4-Way |
| PUR16 | Probe, Surface, Right Angled, | 16mm | Acetal | 300Hz – 100kHz | Lemo 4-Way |
| PUR24 | Probe, Surface, Right Angled, | 24mm | Acetal | 80Hz – 60KHz | Lemo 4-Way |

Leads to fit above probes:

| ETHer NDE Part No. | Description | Instrument | Connector Instrument End | Connector Probe End | Cable Length | Configuration |
|-----------------------|-------------|---|--------------------------|---------------------|--------------|---------------|
| ALL12-L04-015R | Lead | WeldCheck/ AeroCheck/ Vantage/ETi/ Hocking | Lemo 12-Way | Lemo 4-Way | 1.5m | Reflection |
| ALL07-L04-015R | Lead | Hocking | Lemo 7-Way | Lemo 4-Way | 1.5m | Reflection |
| ALJ06-L04-015R | Lead | Hocking | Jaeger 6-Way | Lemo 4-Way | 1.5m | Reflection |

Flat Surface Probes



Application:

Absolute metal sorting and general surface probes – low profile so ideal for those tight inspection areas.

Specification:

- Broad frequency ranges
- Integral 1.5m cable
- Built in load
- Low profile

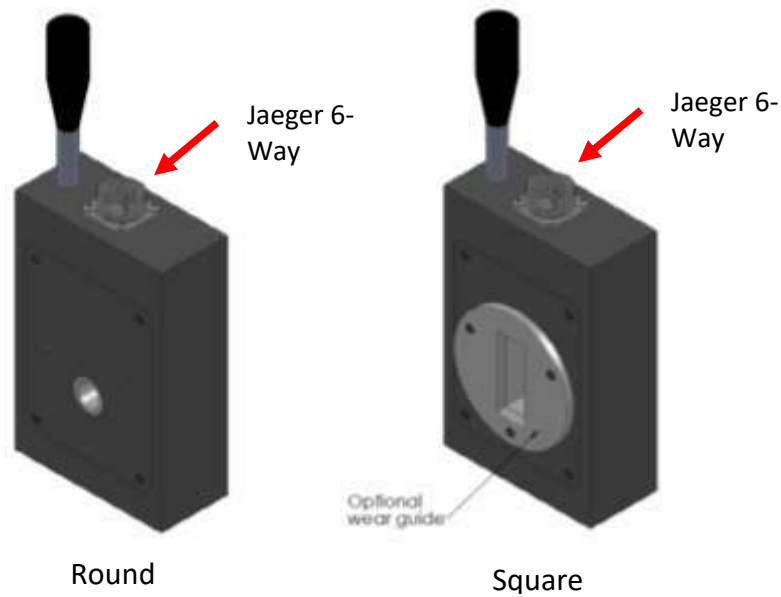
Notes:

The built in load reduces thermal effect.

Probe Coding:

| ETHer NDE Part No. | Description | Ø | Frequency Range | Inductance (µH) | Connector |
|-----------------------------|----------------------|------|-----------------|-----------------|------------------------------|
| Probe, Surface, Flat | | | | | *** |
| PUF127-001-010-*** | Probe, Surface, Flat | 12.7 | 1.5kHz – 10kHz | 3900 | Add: L07 for Lemo 7Way |
| PUF127-005-040-*** | Probe, Surface, Flat | 12.7 | 5kHz - 40kHz | 560 | |
| PUF127-050-400-*** | Probe, Surface, Flat | 12.7 | 50kHz – 400kHz | 56 | |
| PUF127-250-02M-*** | Probe, Surface, Flat | 12.7 | 250kHz – 2MHz | 12 | |
| PUF127-500-06M-*** | Probe, Surface, Flat | 12.7 | 500kHz – 6MHz | 5.6 | L12 for Lemo 12Way |
| PUF190-001-010-*** | Probe, Surface, Flat | 19 | 1.5kHz – 10kHz | 3900 | J06 for Jaeger 6-Way |
| PUF190-005-040-*** | Probe, Surface, Flat | 19 | 5kHz-40kHz | 560 | |
| PUF190-050-400-*** | Probe, Surface, Flat | 19 | 50kHz – 400kHz | 56 | |
| PUF190-250-02M-*** | Probe, Surface, Flat | 19 | 250kHz – 2MHz | 12 | |

Large Encircling Probes



Application:

Absolute – Reflection and Differential - Reflection encircling probes - for use with in-line or off-line high-speed inspection of tubes, wires, bars, etc.

Absolute – Reflection probes ideal for metal sorting, wall thinning and Heat Treatment Applications.

Differential – Reflection probes ideal for defect detection applications, such as cracks and pitting.

Round Encircling Probes used to Inspect - Round Bar, Round Tube, Wire, Metal Sorting Applications, Heat Treatment Applications

Square Encircling Probes used to Inspect - Square Bar, Square Tube, Box Section, Metal Sorting Applications and Heat Treatment Applications

Specification:

- Broad frequency range
- Additional wear guides can be added to standard probes, to increase wear resistance, these can be made in PET or St Steel
- Fitted with a Rapid series 12-Way Jaeger connector for quick connection and de coupling

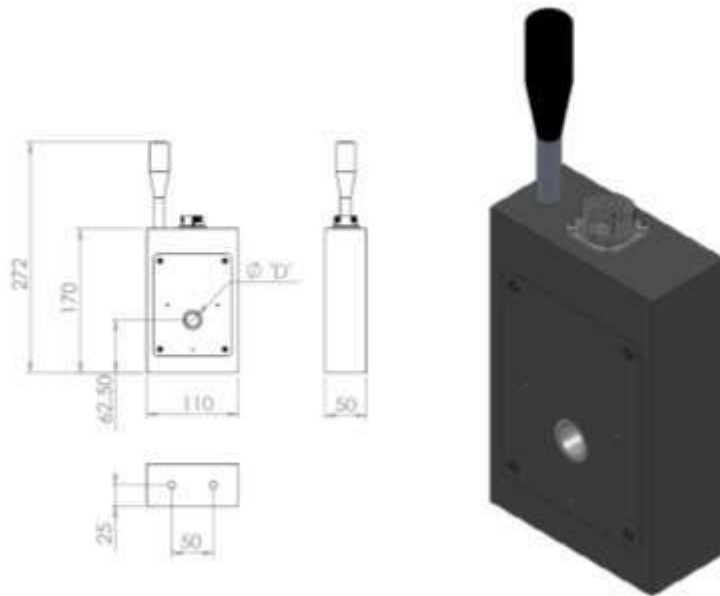
Notes:

Probes are manufactured to the size ordered please take in account the amount of clearance needed based on the part to be inspected, if unsure please ask.

Probes are made to order due to the large variety of configuration available.

Probe Coding:

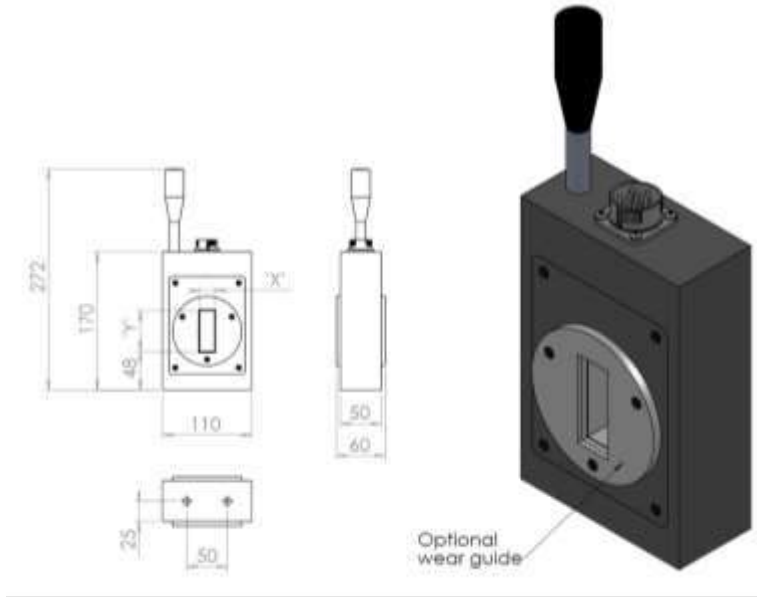
Round Encircling Probes and Wear Guides



Probes are manufactured to the size ordered please take in account the amount of clearance needed based on the part to be inspected, if unsure please ask.

| ETher NDE Part No. | Description | Ø | Frequency | Type |
|---|---|------|--|---------------------------|
| Examples (full range available): | | | | |
| Probe, Encircling, Round, Dia xxx, Absolute Reflection, Frequency xxx | | | | |
| PER127A010 | Probe, Encircling, Round | 12.7 | 10kHz | Absolute - Reflection |
| PER180A100 | Probe, Encircling, Round | 18.0 | 100kHz | Absolute - Reflection |
| Probe, Encircling, Round, Dia xxx, Differential - Reflection, Frequency 1-500kHz | | | | |
| PER127D | Probe, Encircling, Round | 12.7 | 1kHz – 500kHz | Differential - Reflection |
| PER180D | Probe, Encircling, Round | 18.0 | 1kHz – 500kHz | Differential - Reflection |
| Accessory, Encircling, Round, Wear Guide, PET/St Steel, Dia xxx, | | | | |
| AERGP127 | Accessory, Encircling, Round, Guide, PET | 12.7 | Standard - PET (Ertalyte) Guides – A bearing plastic with excellent wear resistance. | |
| AERGP180 | Accessory, Encircling, Round, Guide, PET | 18.0 | | |
| AERGS127 | Accessory, Encircling, Round, Guide, St Steel | 12.7 | St Steel Guides – For very high wear resistance and high mechanical strength. | |
| AERGS180 | Accessory, Encircling, Round, Guide, St Steel | 18.0 | | |

Square Encircling Probes and Wear Guides



Probes are manufactured to the size ordered please take in account the amount of clearance needed based on the part to be inspected, if unsure please ask.

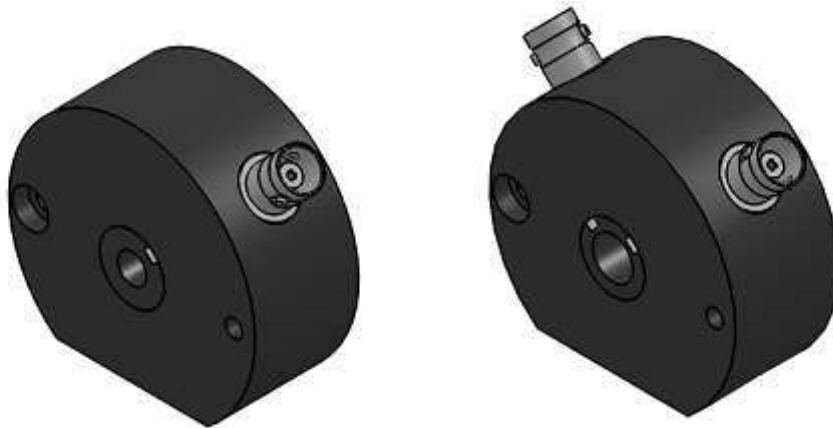
Round Encircling Probes and Wear Guides

| ETHER NDE Part No. | Description | 'X' - 'Y' | Frequency | Type |
|--|--|-------------|--|---------------------------|
| Examples (full range available): | | | | |
| Probe, Encircling, Square, X= xxx - Y= xxx, Absolute Reflection, Frequency xxx | | | | |
| PES190-190A010 | Probe, Encircling, Square | 19.0 – 19.0 | 10kHz | Absolute - Reflection |
| PES180-500A100 | Probe, Encircling, Square | 18.0 – 50.0 | 100kHz | Absolute - Reflection |
| Probe, Encircling, Square, X= xxx - Y= xxx, Differential - Reflection, Frequency 1-500kHz | | | | |
| PES190-190D | Probe, Encircling, Square | 19.0 – 19.0 | 1kHz – 500kHz | Differential - Reflection |
| PES180-500D | Probe, Encircling, Square | 18.0 – 50.0 | 1kHz – 500kHz | Differential - Reflection |
| Accessory, Encircling, Square, Wear Guide, PET/St Steel, X= xxx - Y= xxx | | | | |
| AESGP190-190 | Accessory, Encircling, Square, Guide, PET | 19.0 – 19.0 | Standard - PET (Ertalyte) Guides – A bearing plastic with excellent wear resistance. | |
| AESGP180-500 | Accessory, Encircling, Square, Guide, PET | 18.0 – 50.0 | | |
| AESGS190-190 | Accessory, Encircling, Square, Guide, St Steel | 19.0 – 19.0 | St Steel Guides – For very high wear resistance and high mechanical strength. | |
| AESGS180-500 | Accessory, Encircling, Square, Guide, St Steel | 18.0 – 50.0 | | |

Leads to fit above probes:

| ETHer NDE Part No. | Description | Instrument | Connector Instrument End | Connector Probe End | Cable Length | Configurati on |
|---------------------------|--------------------|---|---------------------------------|----------------------------|---------------------|------------------------------|
| ALL12-J12-020AR | Lead | WeldCheck/ AeroCheck/ Vantage/ETi/ Hocking | Lemo 12-Way | Jaeger 12-Way | 2.0m | Absolute - Reflection |
| ALL07-J12-020AR | Lead | Hocking | Lemo 7-Way | Jaeger 12-Way | 2.0m | Absolute - Reflection |
| ALJ06-J12-020AR | Lead | Hocking | Jaeger 6-Way | Jaeger 12-Way | 2.0m | Absolute - Reflection |
| ALL12-J12-020DR | Lead | WeldCheck/ AeroCheck/ Vantage/ETi/ Hocking | Lemo 12-Way | Jaeger 12-Way | 2.0m | Differential - Reflection |
| ALL07-J12-020DR | Lead | Hocking | Lemo 7-Way | Jaeger 12-Way | 2.0m | Differential - Reflection |
| ALJ06-J12-020DR | Lead | Hocking | Jaeger 6-Way | Jaeger 12-Way | 2.0m | Differential - Reflection |

Small Encircling Probes



Absolute

Differential (Bridge)

Application:

Absolute/Differential encircling Coil - for the inspection of tube, bar and wire. Used for the detection of surface breaking cracks and material sorting.

Probe Coding:

Examples, more available on request:

| ETher NDE Part No. | Description | Ømm | Frequency Range |
|--------------------------|---|------|-----------------|
| Probe, Encircling | | | |
| PEA050 | Probe, Encircling Coil, Absolute, Dia 5.0mm | 5.0 | 5-50kHz |
| PEA071 | Probe, Encircling Coil, Absolute, Dia 5.0mm | 7.1 | 5-50kHz |
| | | | |
| PED050 | Probe, Encircling Coil, Differential, Dia 5.0mm | 5.0 | 5-50kHz |
| PED100 | Probe, Encircling Coil, Differential, Dia 5.0mm | 10.0 | 5-50kHz |

Leads to fit above probes:

| ETHer NDE Part No. | Description | Instrument | Connector Instrument End | Connector Probe End | Cable Length | Configuration |
|---------------------------|-------------|------------|--------------------------|---------------------|--------------|---------------|
| ALLCX-B02-015A | Lead | ETHer | Lemo OO | BNC Plug | 1.5m | Absolute |
| ALL12-B02-B02-015B | Lead | ETHer | Lemo 12-Way | X2 BNC Plugs | 1.5m | Bridge |

VeeScan Probes – Bridge



Application:

For use with the VeeScan EC wheel inspection system, for detecting surface breaking cracks in wheels. The circular absolute probe is positioned perpendicular to the surface to ensure uniform sensitivity regardless of wheel surface profile as the probe progresses through the wheel bead seat area.

Specification:

Bridge connected absolute (integral balance load) with circular head. Recommended Frequency 200kHz option 100kHz, 500kHz and 1.5 MHz. Recommended diameter 6mm (9mm also available and narrow shaft for large wheels)

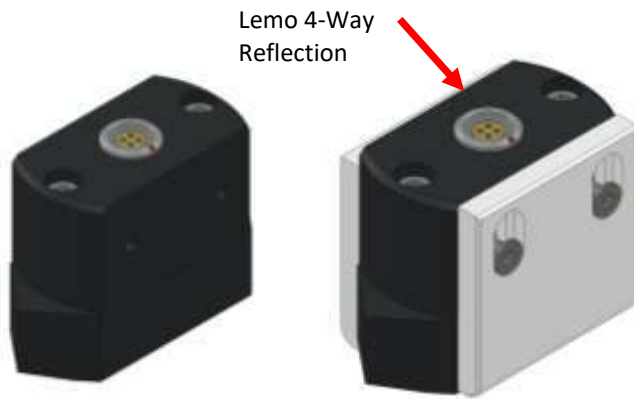


Probe Coding:

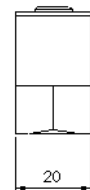
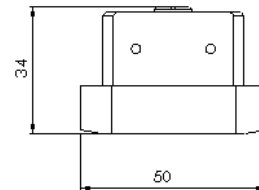
| Part Number | Frequency | 'D' Diameter | 'A' Diameter | 'B' Diameter | 'X' Length | 'Y' Length | Description |
|-------------|-----------|--------------|--------------|--------------|------------|------------|---|
| PA06-100B | 100k | 1/4" (6mm) | 4.0 | 6.35 | 172 | 257 | Probe, VeeScan, Head Dia 6mm, 100kHz |
| PA06-200B | 200k | 1/4" (6mm) | 4.0 | 6.35 | 172 | 257 | Probe, VeeScan, Head Dia 6mm, 200kHz |
| PA06-500B | 500k | 1/4" (6mm) | 4.0 | 6.35 | 172 | 257 | Probe, VeeScan, Head, Dia 6mm, 500kHz |
| PA06-002B | 2.0M | 1/4" (6mm) | 4.0 | 6.35 | 172 | 257 | Probe, VeeScan, Head, Dia 6mm, 2MHz |
| PA06-100FB | 100k | 1/4" (6mm) | 4.0 | 6.35 | 122 | 207 | Probe, VeeScan, Head Dia 6mm, 100kHz, Fine Shaft |
| PA06-200FB | 200k | 1/4" (6mm) | 4.0 | 6.35 | 122 | 207 | Probe, VeeScan, Head Dia 6mm, 200kHz, Fine Shaft |
| PA06-500FB | 500k | 1/4" (6mm) | 4.0 | 6.35 | 122 | 207 | Probe, VeeScan, Head, Dia 6mm, 500kHz, Fine Shaft |
| PA06-002FB | 2.0M | 1/4" (6mm) | 4.0 | 6.35 | 122 | 207 | Probe, VeeScan, Head, Dia 6mm, 2MHz, Fine Shaft |
| Part Number | Frequency | 'D' Diameter | 'A' Diameter | 'B' Diameter | 'X' Length | 'Y' Length | Description |
| PA09-100B | 100k | 3/8" (9mm) | 6.35 | 6.35 | 172 | 257 | Probe, VeeScan, Head Dia 9mm, 100kHz |
| PA09-200B | 200k | 3/8" (9mm) | 6.35 | 6.35 | 172 | 257 | Probe, VeeScan, Head Dia 9mm, 200kHz |
| PA09-500B | 500k | 3/8" (9mm) | 6.35 | 6.35 | 172 | 257 | Probe, VeeScan, Head, Dia 9mm, 500kHz |
| PA09-002B | 2.0M | 3/8" (9mm) | 6.35 | 6.35 | 172 | 257 | Probe, VeeScan, Head, Dia 9mm, 2MHz |
| PA09-100FB | 100k | 3/8" (9mm) | 6.35 | 6.35 | 122 | 207 | Probe, VeeScan, Head Dia 9mm, 100kHz, Fine Shaft |
| PA09-200FB | 200k | 3/8" (9mm) | 6.35 | 6.35 | 122 | 207 | Probe, VeeScan, Head Dia 9mm, 200kHz, Fine Shaft |
| PA09-500FB | 500k | 3/8" (9mm) | 6.35 | 6.35 | 122 | 207 | Probe, VeeScan, Head, Dia 9mm, 500kHz, Fine Shaft |
| PA09-002FB | 2.0M | 3/8" (9mm) | 6.35 | 6.35 | 122 | 207 | Probe, VeeScan, Head, Dia 9mm, 2MHz, Fine Shaft |

- Simply remove the "B" from the end of the above part numbers for Absolute versions used on the Hocking WheelScan.

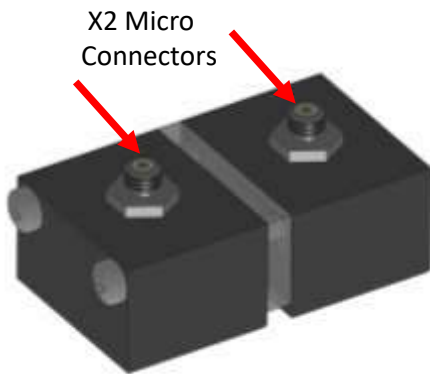
Sliding Probes – Dual Element



PFS002 - Dual element sliding probe



Optional
Guide - P/N: 40090



Application:

Typically used on aircraft wings (and on other similar structures) to detect cracks and corrosion on or near the surface around fasteners and in deeper layers under the skins. The above probes either slide along or over rows of fasteners.

Probe Coding:

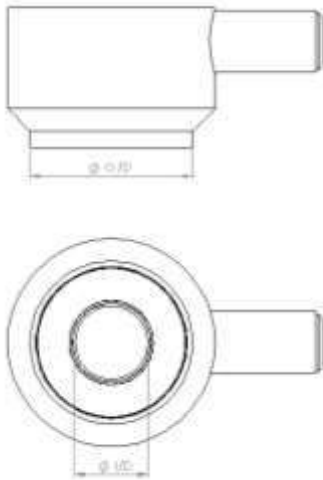
PFS001 - Dual element sliding probe - Reflection - Lemo 4-Way - contains a transmit and receive element - 400Hz-50kHz - used on fastener head sizes 1mm and below.

PFS002 - Dual element sliding probe - Tx, Rx - contains a transmit and receive element - 100Hz-500kHz - Comes with 1.5, 2.5 and 3.5mm wide Lens.

Leads to fit above probes:

| ETHer NDE Part No. | Description | Instrument | Connector Instrument End | Connector Probe End | Cable Length | Configuration |
|----------------------------|-------------|---|--------------------------|---------------------|--------------|--------------------|
| ALL12-L04-015R | Lead | WeldCheck/ AeroCheck/ Vantage/ETi/ Hocking | Lemo 12-Way | Lemo 4-Way | 1.5m | Reflection |
| ALL12-M02-M02-015AR | Lead | WeldCheck/ AeroCheck/ Vantage/ETi/ Hocking | Lemo 12-Way | X2 micro Plug | 1.5m | Transmit & Receive |

Low Frequency Fastener Inspection Probes



Application:

Typically used on aircraft wings (and on other similar structures) to detect cracks and corrosion around fasteners without requiring removal of the fastener.

Probe Coding:

| ETHer NDE Part No. | Frequency Range | I/D Diameter | Description |
|--------------------|-----------------|--------------|--|
| PD0516 | 250Hz-40kHz | 5 | Probe, Ring, (Donut) 250Hz - 40kHz, I/D 5mm O/D 16mm |
| PD0619 | 500Hz - 40kHz | 6 | Probe, Ring, (Donut) 500Hz - 40kHz, I/D 6mm O/D 19mm |
| PD06719 | 250Hz-40kHz | 6.7 | Probe, Ring, (Donut) 250Hz - 40kHz, I/D 6.7mm O/D 19mm |
| PD0822 | 250Hz-40kHz | 8 | Probe, Ring, (Donut) 250Hz - 40kHz, I/D 8mm O/D 22mm |
| PD08419 | 250Hz-40kHz | 8.4 | Probe, Ring, (Donut) 250Hz - 40kHz, I/D 8.4mm O/D 19mm |
| PD0922 | 250Hz-40kHz | 9 | Probe, Ring, (Donut) 250Hz - 40kHz, I/D 09mm O/D 22mm |
| PD09719 | 250Hz-40kHz | 9.7 | Probe, Ring, (Donut) 250Hz - 40kHz, I/D 9.7mm O/D 19mm |
| PD1022 | 250Hz-40kHz | 10 | Probe, Ring, (Donut) 250Hz - 40kHz, I/D 10mm O/D 22mm |
| PD1122 | 250Hz-40kHz | 11 | Probe, Ring, (Donut) 250Hz - 40kHz, I/D 11mm O/D 22mm |
| PD1225 | 80Hz-50kHz | 12 | Probe, Ring, (Donut) 80Hz - 50kHz, I/D 12mm O/D 25mm |
| PD1329 | 80Hz-50kHz | 13 | Probe, Ring, (Donut) 80Hz - 50kHz, I/D 13mm O/D 29mm |
| PD1332 | 80Hz-50kHz | 13 | Probe, Ring, (Donut) 80Hz - 50kHz, I/D 13mm O/D 32mm |
| PD1429 | 80Hz-50kHz | 14 | Probe, Ring, (Donut) 80Hz - 50kHz, I/D 14mm O/D 29mm |
| PD1531 | 80Hz-50kHz | 15 | Probe, Ring, (Donut) 80Hz - 50kHz, I/D 15mm O/D 31mm |
| PD1629 | 80Hz-50kHz | 16 | Probe, Ring, (Donut) 80Hz - 50kHz, I/D 16mm O/D 29mm |
| PD1640 | 80Hz-50kHz | 16 | Probe, Ring, (Donut) 80Hz - 50kHz, I/D 16mm O/D 40mm |
| PD2038 | 80Hz-50kHz | 20 | Probe, Ring, (Donut) 80Hz - 50kHz, I/D 20mm O/D 38mm |
| PD2844 | 80Hz-50kHz | 28 | Probe, Ring, (Donut) 80Hz - 50kHz, I/D 28mm O/D 52mm |

Leads to fit above probes:

| ETHer NDE Part No. | Description | Instrument | Connector Instrument End | Connector Probe End | Cable Length | Configuration |
|-----------------------|-------------|------------------------------|--------------------------|---------------------|--------------|---------------|
| ALL12-L04-015R | Lead | WeldCheck/ AeroCheck/ ETi | Lemo 12-Way | Lemo 4-Way | 1.5m | Reflection |

Rail Inspection Probes

PT001



PT003 + PT004



PT010



Application:

Detecting surface breaking cracks in rail and rolling stock.

Probe Coding:

| ETHer NDE Part No. | Frequency Range | Description |
|--------------------|-----------------|--|
| PT001 | 20kHz-500kHz | Probe, WideScan, Flat General Purpose, Single Coil, Reflection, 20kHz to 500kHz, Lemo 4-Way |
| PT003 | 20kHz-500kHz | Probe, WideScan, Rail Head RT-1, 50mm Wide, Single Coil, Reflection, 20kHz to 500kHz, Lemo 4-Way Socket |
| PT004 | 20kHz-500kHz | Probe, WideScan, Rail Head RT-1, 50mm Wide, Dual Coil, Reflection, 20kHz to 500kHz, x2 Lemo 4-Way Sockets |
| PT010 | 20kHz-500kHz | Probe, WideScan, Flat, 3.5" wide x 1" long x 1" tall, Reflection, 20kHz to 500kHz, Lemo Water Tight 4-Way socket |

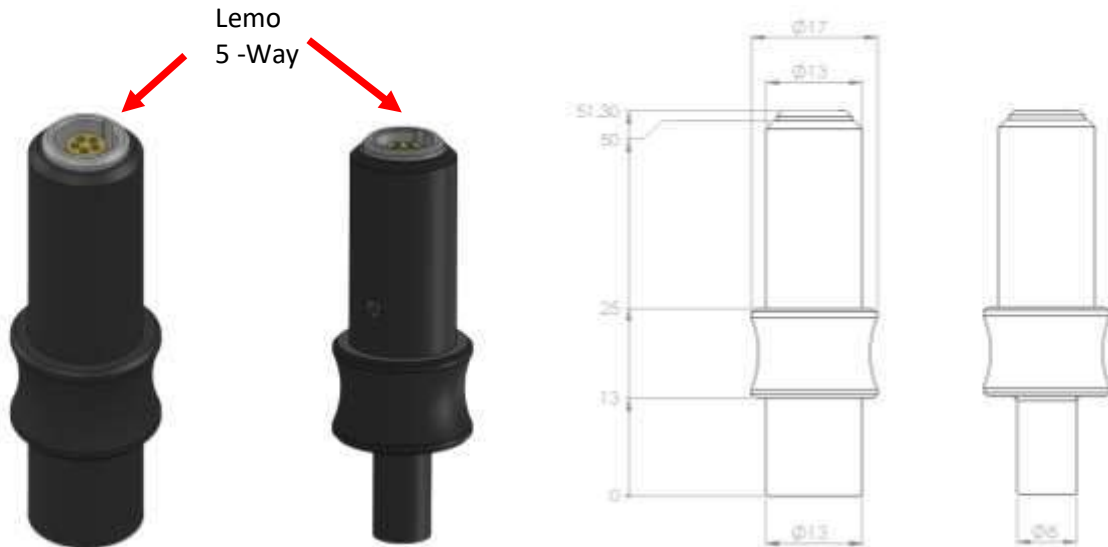
Leads to fit above probes:

| ETHer NDE Part No. | Description | Instrument | Connector Instrument End | Connector Probe End | Cable Length | Configuration |
|-----------------------|-------------|------------------------------|--------------------------|---------------------|--------------|---------------|
| ALL12-L04-015R | Lead | WeldCheck/ AeroCheck/ ETi | Lemo 12-Way | Lemo 4-Way | 1.5m | Reflection |

SigmaCheck Conductivity Probe

PSIG001 – Dia 13.00mm – Operating Frequency 60, 120, 240 and 480kHz

PSIG002 – Dia 8.00mm – Operating Frequency 60, 120, 240 and 480kHz



Application:

For use with the SigmaCheck eddy current conductivity meter, conductivity is widely used to indicate material type and determine the state of heat treatment. In order to give accurate readings the SigmaCheck uses a three-point reference method. The first measurement with the probe in the air and then two further measurements are required which span the range of interest. The SigmaCheck is supplied with a detachable reference piece with two standards that span the range of commonly used metals.

Part Number:

| ETHer NDE Part No. | Description | Instrument |
|--------------------|---|------------|
| PSIG001 | Probe, Conductivity, 60,120,240 and 480kHz, Dia 13.00mm, Straight, Lemo 5-Way | SigmaCheck |
| PSIG002 | Probe, Conductivity, 60,120,240 and 480kHz, Dia 8.00mm, Straight, Lemo 5-Way | SigmaCheck |

Note: Each probe is supplied with an SD card, which holds the probes characteristics; this is then inserted into the SigmaCheck being used.

Leads to fit above probes:

| ETHer NDE Part No. | Description | Instrument |
|--------------------------|--|------------|
| ALL05-L05-012-SIG | Accessory, Lead, 5-Way Lemo to 5-Way Lemo, 1.2m (SigmaCheck) | SigmaCheck |

AeroCheck+ Conductivity Probe

Lemo 7 –Way

Probe: PCON001

Will only work on an AeroCheck+ with lead ALL12-L07-007-CON



Application:

For use with the AeroCheck+ eddy current conductivity meter. The probe has an internal memory that stores the probe characteristics for calculating conductivity. Only one test frequency can be applied to a probe.

Part Number:

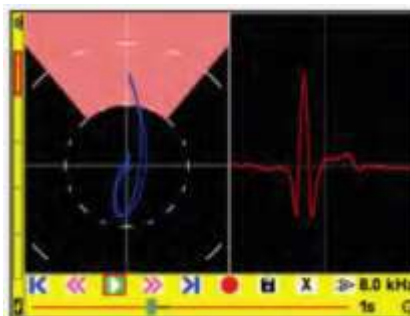
| ETHer NDE Part No. | Description |
|--------------------|--|
| PCON001 | Probe, Conductivity, 60kHz, Dia 13.00mm, Straight, Lemo 7-Way (AeroCheck Plus) |

Leads to fit above probes:

| ETHer NDE Part No. | Description |
|--------------------|---|
| ALL12-L07-007-CON | # Accessory, Lead, 12-Way Lemo to 7-Way Lemo, 0.7m, Conductivity (To fit AeroCheck Plus Conductivity Probe) |

Rotating Drive

ARD002 – Small Rotating Drive



Application:

Eddy current rotary inspections of fastener holes and countersinks are performed routinely in the Aircraft Maintenance Industry and now the method is also being used increasingly in the power generation industry for the inspection of bolt-holes on wind turbines. High-speed surface inspection is also another area of increasing usage.

- Hole Inspection
- Countersink Inspection
- Surface Inspection

The **Mercury Rotary Drive** is perfect for tight spaces and is designed and manufactured in-house. It uses our standard rotating probe range as shown on page 30.

The Mercury Rotary Drive is compatible with:

- AeroCheck
- Vantage G2
- ETi-200
- Hocking Phasec 2 & 3
- Industry Standard 4 Pin Fischer Rotary Probes

Part Number:

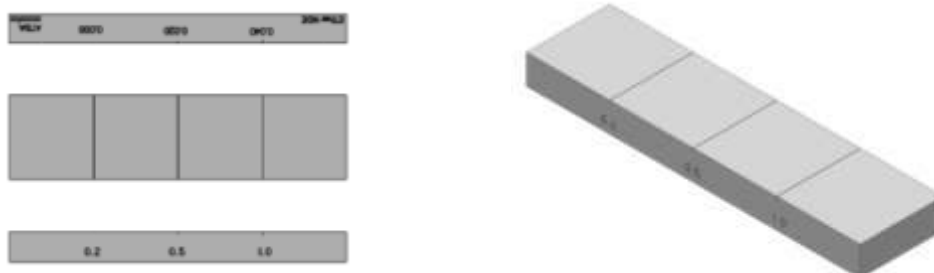
| ETHer NDE Part No. | Description | Specification |
|--------------------|--|---|
| ARD002 | Accessory, Rotating Drive, Small, Lemo 12-Way. (MERCURY) | Rotation Speed - 3000, 2700, 2400, 2100, 1800, 1500, 1200, 1020, 840 and 600 rpm Dimensions - Height: 80.9mm, Width: 25mm, Length: 34.5mm Weight – 300grams |

Leads to fit above probes:

| ETHer NDE Part No. | Description | Instrument |
|-----------------------|---|----------------------------------|
| ALL12-L12-020M | Accessory, Lead, Lemo 12-Way - Lemo 12-Way, 2.0m (Rotating Drive) | AeroCheck/Vantage G2/ETi/Hocking |

Test Blocks

General Purpose with Slots



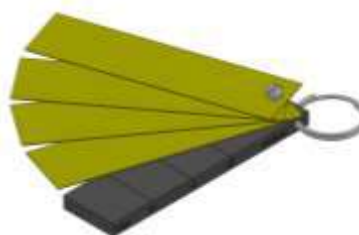
Application:

Test blocks – general purpose with 0.2 (0.008”), 0.5 (0.020”) and 1.0mm (0.040”) slots to enable correct calibration.

Test Block Coding:

| ETHer NDE Part No. | Description | Material |
|-------------------------------|--|--------------------------------|
| Accessory, Test Block, | | |
| ATBF | Accessory. Test Block, Ferrous (Steel EN1A), 0.2, 0.5, 1.0mm slots | Ferrous (Steel EN1A) |
| ATBA | Accessory. Test Block, Aluminium Alloy 7075-T6, 0.2, 0.5, 1.0mm slots | Aluminium Alloy 7075-T6 |
| ATBT | Accessory. Test Block, Titanium 6A14V, 0.2, 0.5, 1.0mm slots | Titanium 6A14V |
| ATBS | Accessory. Test Block, Stainless Steel 304, 0.2, 0.5, 1.0mm slots (AUSTENITIC) | Stainless Steel |
| ATBS316 | Accessory. Test Block, Stainless Steel 316, 0.2, 0.5, 1.0mm slots | Stainless Steel 316 |

Weld Probe Test Block



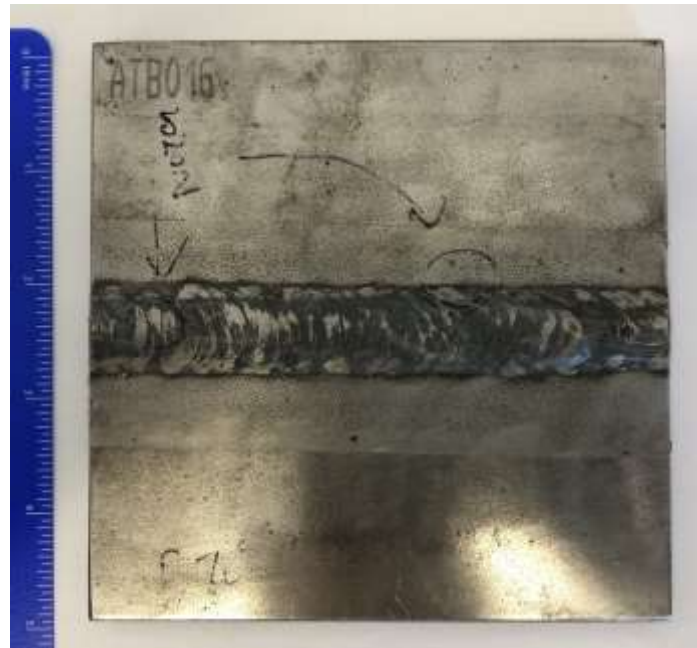
Application:

Weld probe test block – coating thickness calibration standard with 0.5 (0.02”), 1.0 (0.04”) and 2.0mm (0.08”) slots including 4 x 0.5mm (0.02”) shims, used in conjunction with broad band (paint) probe PUB100k to set sensitivity levels before weld inspection.

Test Block Coding:

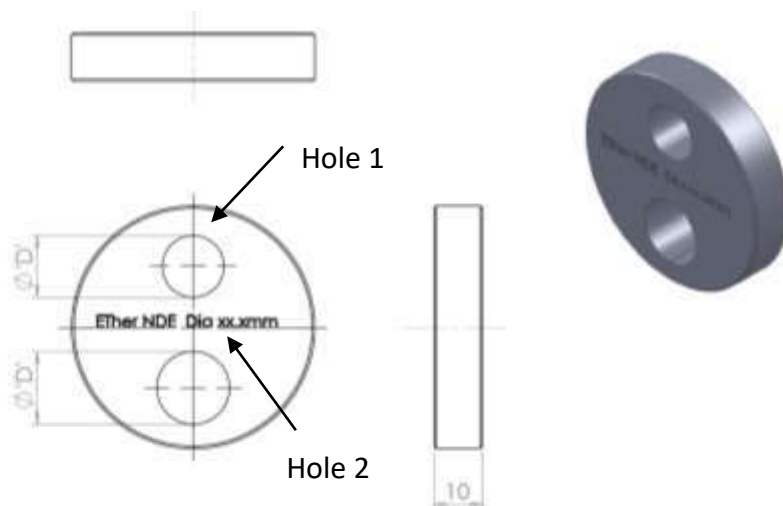
| ETHer NDE Part No. | Description | Material |
|--------------------|--|---|
| ATBW | Accessory. Test Block, Weld Probe, Ferrous (Steel EN1A) + 4 x 0.5mm Shims, 0.5, 1.0, 2.0mm slots | Ferrous (Steel EN1A) + 4 x 0.5mm Shims |
| ATBWDUP | Accessory. Test Block, Weld Probe, Duplex, 2205 4 x 0.5mm Shims, 0.5, 1.0, 2.0mm slots | Duplex + 4 x 0.5mm Shims |

Weld Probe Demo Crack Specimen



| ETher NDE Part No. | Description |
|--------------------|---|
| ATB016 | Test Block WeldCheck Demo Crack Specimen - Plate with two cracks, Type A and C - Toe and Cap Plates are 5" x5", 1/4" thick with false ground crown. Standard crack size 1/4" Long x 0.040" deep. |

Rotating Probe Test Block

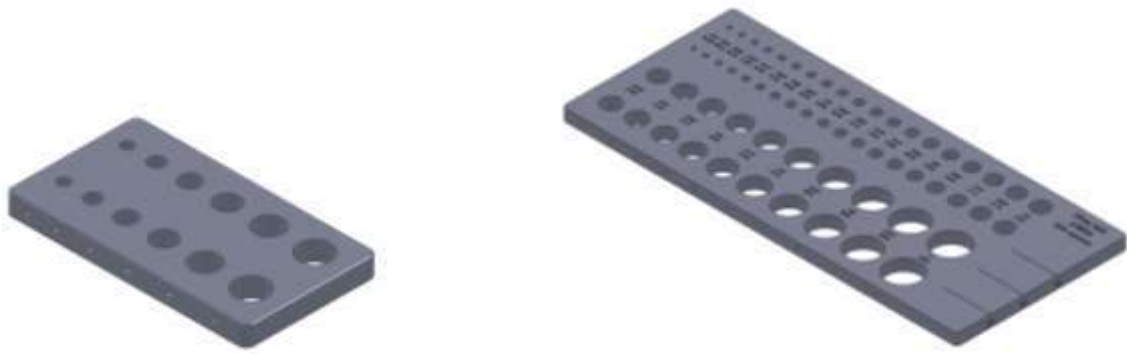


Application:

Rotating probe test blocks – available in a number of materials with a large variety of defect types, used to enable correct calibration of rotating probes. **Test Block Coding:**

| ETHer NDE Part No. | Description | Material | Hole Ø | Hole 1 | Hole 2 |
|---|----------------------------|--------------------------------|---|------------------|--|
| Accessory, Test Block, Rotating, Material Type (A, F, T or S), Hole Diameter (mm) xxx, Defect Type in Hole 2 X | | | | | |
| ATBRAxxxX | Test Block, Rotating Probe | Aluminium Alloy 7075-T6 | Hole Ø xxx Example: 12.7mm = 127 | Defect Free Hole | Defect Type X |
| ATBRFxxxX | Test Block, Rotating Probe | Ferrous (Steel EN1A) | | | (Standard) Side Drilled H ole (Ø 1mm) C orner Notch (0.030" x 0.030") T hrough Notch (0.020" deep x 0.004" Wide) |
| ATBRTxxxX | Test Block, Rotating Probe | Titanium 6A14V | | | |

Rotating Probe Test Blocks – Multi Hole



Test Block Coding:

| ETHer NDE Part No. | Description | Material |
|--------------------|---|-------------------|
| ATB005 | Accessory, Test Block, Rotating probe, Total 12 holes; Holes 3/16", 1/4", 5/16", 3/8", 7/16", 1/2" 6 sound holes and 6 holes with Flaws | Aluminium 7075-T6 |
| ATB004 | Accessory, Test Block, Large Rotating Probe, 1/8" up to 1" with 0.5mm side drilled holes + Slots 0.2, 0.5 and 1mm deep. | Aluminium 7075-T6 |

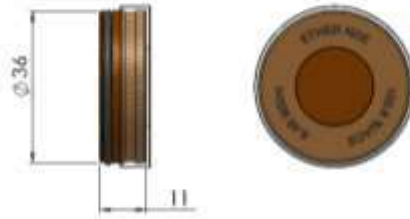
Surface Probe Test Block



Test Block Coding:

| ETHer NDE Part No. | Description | Material |
|--------------------|--|-------------------|
| ATB001 | Accessory, Test Block, Aluminium 7075-T6, 1.6mm Thick, x4 Flat Bottom Holes 75%(1.2mm), 50%(0.8mm), 25%(0.4mm), 2.5%(0.2mm), Deep. | Aluminium 7075-T6 |

Conductivity Test Blocks



Application:

Used as a reference in the application of electrical conductivity measurement of non-ferrous metals, ideal for both laboratory and field use. Blocks are supplied with calibration certificates.

Calibration:

- Blocks are calibrated at 20degC, at a frequency of 60kHz
- The limits of permissible errors are $\pm 1\%$ IACS of value for values of 35%IACS and lower, $\pm 0.35\%$ IACS for measured values between 35%IACS and 62%IACS and $\pm 1\%$ IACS for measured values 62%IACS and above.
- The conductivity of each reference standard is determined for the central area of diameter 15mm of front face by comparison with similar material, the conductivity of which has been determined in terms of traceable electrical standards.

Test Block Coding:

| ETHer NDE Part No. | Material | % IACS (Value Range) | Siemens/m (Value Range) |
|-------------------------|---------------------------|-------------------------|----------------------------|
| ATBC-COPPER | Copper | (99.9 - 102.5) | (57.9 - 59.5) |
| ATBC-ALU1200 | Aluminium Alloy, 1200-H4 | (57.2 - 60.5) | (33.2 - 35.1) |
| ATBC-ALU6082 | Aluminium Alloy, 6082-T6 | (45.1 - 49.0) | (26.2 - 28.4) |
| ATBC-ALU6061 | Aluminium Alloy, 6061-T6 | (40.5 - 45.0) | (23.4 - 26.1) |
| ATBC-ALU2014A-T6 | Aluminium Alloy, 2014A-T6 | (34.7 - 40.3) | (20.1 - 23.4) |
| ATBC-ALU7075 | Aluminium Alloy, 7075-T6 | (30.0 - 34.1) | (17.4 - 19.8) |
| ATBC-ALU5083 | Aluminium Alloy, 5083 | (26.6 - 30.0) | (15.4 - 17.4) |
| ATBC-BRASS | Brass, CZ 121 | (23.3 - 26.6) | (13.5 - 15.4) |
| ATBC-PBRONZE | Phosphor Bronze | (13.0 - 18.0) | (7.5 - 10.4) |
| ATBC-NICSILVER | Nickel Silver, LC1291 | (9.0 - 9.9) | (5.2 - 5.7) |
| ATBC-STST303S | Stainless Steel, 303 S | (2.1 - 2.5) | (1.2 - 1.4) |
| ATBC-TITANIUM | Titanium, 6AL-4V | (1.0 - 1.1) | (0.6 - 0.7) |

Note:

Conductivity values vary, for current stock values please contact sales@ethernde.com. Precise values will be shown on each block.

Other blocks available on request.

Probe Leads

Notes:

Leads come as standard in a 1.5m cable length, other lengths available on request.



ETHer NDE WeldCheck, AeroCheck, Vantage G2, ETi (Lemo Coaxial/Lemo OO - Absolute):

| ETHer NDE Part No. | Description | Instrument | Connector Instrument End | Connector Probe End | Cable Length | Configuration |
|-----------------------|-------------|------------|--------------------------|---------------------|--------------|---------------|
| ALLCX-M02-015A | Lead | ETHer | Lemo OO | Micro Plug | 1.5m | Absolute |
| ALLCX-B02-015A | Lead | ETHer | Lemo OO | BNC Plug | 1.5m | Absolute |

ETHer NDE WeldCheck, AeroCheck, Vantage G2, ETi - Hocking Phasec2200/D60/D62, Phasec 3d, Phasec 2d, Phasec 2s, Locator 3, (Lemo 12-Way):

| ETHer NDE Part No. | Description | Instrument | Connector Instrument End | Connector Probe End | Cable Length | Configuration |
|---------------------------|-------------|---------------|--------------------------|---------------------|--------------|---------------|
| ALL12-L04-015R | Lead | ETHer/Hocking | Lemo 12-Way | Lemo 4-Way | 1.5m | Reflection |
| ALL12-L04-015B | Lead | ETHer/Hocking | Lemo 12-Way | Lemo 4-Way | 1.5m | Bridge |
| ALL12-M02-015A | Lead | ETHer/Hocking | Lemo 12-Way | Micro Plug | 1.5m | Absolute |
| ALL12-B02-015A | Lead | ETHer/Hocking | Lemo 12-Way | BNC Plug | 1.5m | Absolute |
| ALL12-B02-B02-015A | Lead | ETHer/Hocking | Lemo 12-Way | BNC Plug x2 | 1.5m | Absolute |
| ALL12-L05-015F | Lead | ETHer/Hocking | Lemo 12-Way | Lemo 5-Way | 1.5m | FastScan |

Hocking Phasec/Quick Check (Jaeger 6-Way):

| ETHer NDE Part No. | Description | Instrument | Connector Instrument End | Connector Probe End | Cable Length | Configuration |
|-----------------------|-------------|------------|--------------------------|---------------------|--------------|---------------|
| ALJ06-L04-015R | Lead | Hocking | Jaeger 6-Way | Lemo 4-Way | 1.5m | Reflection |
| ALJ06-L04-015B | Lead | Hocking | Jaeger 6-Way | Lemo 4-Way | 1.5m | Bridge |

BNC (Cable Type RG174):

| ETHer NDE Part No. | Description | Instrument | Connector Instrument End | Connector Probe End | Cable Length | Configuration |
|-----------------------|-------------|------------|--------------------------|---------------------|--------------|---------------|
| ALB02-B02-015A | Lead | Various | BNC Plug | BNC Plug | 1.5m | Absolute |
| ALB02-M02-015A | Lead | Various | BNC Plug | Micro Plug | 1.5m | Absolute |

Hocking Locator 2, Locator 2s (Lemo 7-Way):

| ETHer NDE Part No. | Description | Instrument | Connector Instrument End | Connector Probe End | Cable Length | Configuration |
|---------------------------|-------------|------------|--------------------------|---------------------|--------------|---------------|
| ALL07-L04-015R | Lead | Hocking | Lemo 7-Way | Lemo 4-Way | 1.5m | Reflection |
| ALL07-L04-015B | Lead | Hocking | Lemo 7-Way | Lemo 4-Way | 1.5m | Bridge |
| ALL07-M02-015A | Lead | Hocking | Lemo 7-Way | Micro Plug | 1.5m | Absolute |
| ALL07-B02-015A | Lead | Hocking | Lemo 7-Way | BNC | 1.5m | Absolute |
| ALL07-B02-B02-015A | Lead | Hocking | Lemo 7-Way | BNC Plug x2 | 1.5m | Absolute |

Probe Adapters

Notes:

Adapters come as standard in a 150mm length, other lengths available on request.



| ETHer NDE Part No. | Description | Instrument | Connector Instrument End | Connector Probe End | Cable Length | Configuration |
|--------------------|-------------|---------------|--------------------------|---------------------|--------------|---------------|
| AAL12P-L07S | Adapter | ETHer/Hocking | Lemo 12-Way | Lemo 7-Way | 150mm | All |
| AAL12-J06P | Adapter | ETHer/Hocking | Lemo 12-Way | Jaeger 6-Way | 150mm | All |
| AAL12-Z04SB | Adapter | ETHer/Hocking | Lemo 12-Way | Amphenol | 150mm | Bridge |
| AAL12-Z04SR | Adapter | ETHer/Hocking | Lemo 12-Way | Amphenol | 150mm | Reflection |
| AAL07P-L12S | Adapter | Hocking | Lemo 7-Way | Lemo 12-Way | 150mm | All |

AALCX-B02S - Accessory, Adapter, Lemo OO to BNC Jack (Short) (Lemo OO to BNC)

AAB02-LCXS - Accessory, Adapter, BNC Socket to Lemo OO Socket (Short) (BNC to Lemo OO)



AAL12P-B02S - Accessory, Adapter, 12-Way Lemo to BNC Socket (Fixed 61mm Long)



Probe Tape

Application:

Used as probe tip protectors.

Probe Tape Coding:

| ETHer NDE Part No. | Description |
|---------------------------|---------------------------------|
| AW001 | PTFE Tape 7mm Wide x 1m |
| AW003 | Butterfly PTFE Tape, pack of 30 |

Balance Loads

Application:

Used with absolute probes on impedance plane instruments.

| ETHer NDE Part No. | Inductance | Frequency Range (50ohm) | Connector |
|---------------------------|-------------------|--------------------------------|------------------|
| ABAL006 | 1.3uH | 2MHz – 10MHz | BNC |
| ABAL002 | 8.2uH | 350kHz – 3MHz | BNC |
| ABAL500 | 47uH | 50kHz – 500kHz | BNC |
| ABAL200 | 120uH | 20kHz – 200kHz | BNC |



Probe and Instrument Cases

Probe Case:



| ETHer NDE Part No. | Description |
|--------------------|------------------------------------|
| AC002 | Accessory, Deluxe Probe Case PHDC1 |

Protective/Splash Proof Instrument Case:



| ETHer NDE Part No. | Description |
|--------------------|--|
| AWEL005 | Accessory, Instrument Soft Carry Case (To Fit: WeldCheck /AeroCheck) |
| AAER004 | Accessory, Instrument Soft Carry Case (To Fit: WeldCheck2/WeldCheck+, AeroCheck2/AeroCheck+) |

Instrument Soft Carry Case:



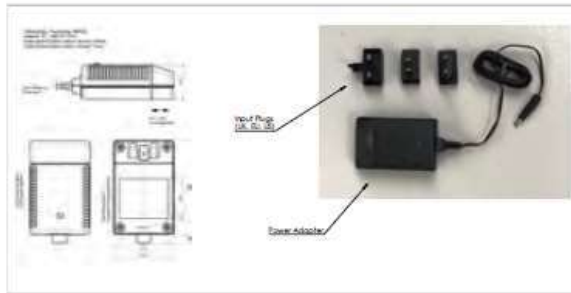
| ETHer NDE Part No. | Description |
|--------------------|--|
| AC006 | Accessory, Instrument Soft Carry Case (To Fit: WeldCheck/AeroCheck/AeroCheck+) |

Instrument Hard Carry Case:



| ETHer NDE Part No. | Description |
|--------------------|---|
| AWEL004 | Accessory, Accessory, Hard Transit Case with Padded Dividers Internal Size 432 x 280 x 153mm (To Fit: WeldCheck – AeroCheck – AeroCheck+) |

Other Instrument Accessory's:



AWEL002 AeroCheck, Power Adapter + Input Plugs (UK, EU, US & Australia)



AWEL003 Adjustable Shoulder Strap, Padded with Quick-Release Clips



AWEL008 Accessory, In-Car 12V Power Adapter (Weld/AeroCheck) (12V, 5.5 x 2.5mm Plug)



AAER002 Accessory, PELIE STORM iM2300 Case with foam

Probe Kits



Weld Probe Kit to fit WeldCheck/AeroCheck Range:

| ETHer NDE Part No. | Description |
|----------------------------------|--|
| Kit Part Number: KAWEL001 | |
| Includes: | |
| PWM100S00 | Probe, Weld, Dia 16.00mm (Medium) 100kHz, Straight, Disconnect |
| PUB100k | Probe, Unshielded, Broad Band, 100k (35kHz-250kHz), BNC |
| ATBW | Accessory, Test Block, Weld Probe, Ferrous (Steel EN1A) + 4 x 0.5mm Shims, 0.5, 1.0, 2.0mm slots |
| ALL12-L04-015B | Accessory, Lead, Lemo 12-Way - Lemo 4-Way, 1.5m (Bridge) |
| ALLCX-B02-015A | Accessory, Lead. Lemo 00 to BNC, 1.5m (Vantage) |
| AW003 | Accessory, Butterfly PTFE Tape (Pack of 30) |
| AC002 | Accessory, Deluxe Probe Case PHDC1 |



Weld Probe Advanced Kit to fit WeldCheck/AeroCheck Range:

| ETHer NDE Part No. | Description |
|----------------------------------|--|
| Kit Part Number: KAWEL002 | |
| Includes: | |
| PWS100S000 | Probe, Weld, Dia 11.00mm (Small) 100kHz, Straight, Disconnect |
| PWM100M000 | Probe, Weld, Dia 16.00mm (Medium) 100kHz, Straight, Disconnect |
| PUB100k | Probe, Unshielded, Broad Band, 100k (35kHz-250kHz), BNC |
| ATB016 | Test Block WeldCheck Demo Crack Specimen - Plate with two cracks, Type A and C - Toe and Cap Plates are 4" x4", 1/4" thick with false ground crown. Standard crack size 1/4" Long x 0.040" deep. |
| ATBW | Accessory, Test Block, Weld Probe, Ferrous (Steel EN1A) + 4 x 0.5mm Shims, 0.5, 1.0, 2.0mm slots |
| ALL12-L04-015B | Accessory, Lead, Lemo 12-Way - Lemo 4-Way, 1.5m (Bridge) |
| ALLCX-B02-015A | Accessory, Lead. Lemo 00 to BNC, 1.5m |
| AW003 | Accessory, Butterfly PTFE Tape (Pack of 30) |
| AC007 | Accessory, Hard Peli 1120 Carry Case |

Surface Probe Kit to fit WeldCheck/AeroCheck Range:

| ETHer NDE Part No. | Description |
|----------------------------------|---|
| Kit Part Number: KASUR001 | |
| Includes: | |
| PU500PSFE/NFE | Probe, Unshielded, 500kHz, Fe/NFe, Plastic Handle, Straight, 100mm Long |
| PS002PS028-114N | Probe, Shielded, 2MHz, Plastic Handle, Straight, 28mm Tip Length (Total Length 114mm, 4.5") (Straight Shank) |
| PS500PD064-114N | Probe, Shielded, 500kHz, Plastic Handle, Double Crank, 6.4 (0.25") Tip Length (Total Length 114mm, 4.5") (15deg Crank, 90deg tip Shank) |
| PS002PD064-114N | Probe, Shielded, 2MHz, Plastic Handle, Double Crank, 6.4 (0.25") Tip Length (Total Length 114mm, 4.5") (15deg Crank, 90deg tip Shank) |
| PK065002NFE | Probe, Knife, 65 deg, 2MHz, NFe, Unshielded |
| ALLCX-M02-015A | Accessory, Lead, Lemo 00 to Microdot, 1.5m (Vantage/ETi) |
| ATBF | Accessory. Test Block, Ferrous (Steel EN1A), 0.2, 0.5, 1.0mm slots |
| ATBA | Accessory. Test Block, Aluminium Alloy 7075-T6, 0.2, 0.5, 1.0mm slots |
| AW003 | Accessory, Butterfly PTFE Tape (Pack of 30) |
| AC002 | Accessory, Deluxe Probe Case PHDC1 |

Sub Surface Probe Kit to fit WeldCheck/AeroCheck Range:

| ETHer NDE Part No. | Description |
|-----------------------------------|---|
| Kit Part Number: KASUBS001 | |
| Includes: | |
| PUS16 | Probe, Surface, Straight, Dia 16mm, 300Hz - 100KHz, Plastic, Lemo 4-Way |
| PUR11 | Probe, Surface, Right Angled, Dia 11mm, 300Hz - 100KHz, Plastic, Lemo 4-Way |
| ALL12-L04-015R | Accessory, Lead, Lemo 12-Way - Lemo 4-Way, 1.5m (Reflection) |
| ATB001 | Accessory, Test Block, Aluminium 7075-T6, 1.6mm Thick, x4 Flat Bottom Holes 75%(1.2mm), 50%(0.8mm), 25%(0.4mm), 12.5%(0.2mm), Deep. |

Rotary Drive Kit to fit AeroCheck – AeroCheck2 – AeroCheck+:

| ETHer NDE Part No. | Description |
|----------------------------------|---|
| Kit Part Number: KAROT001 | |
| Includes: | |
| ARD002 | Accessory, Rotating Drive, Small, Lemo 12-Way. (MERCURY) |
| ALL12-L12-020M | Accessory, Lead, Lemo 12-Way - Lemo 12-Way, 2.0m (Rotating Drive) |
| AC002 | Accessory, Deluxe Probe Case PHDC1 |

Lemo 7-Way

Probe: PCON001

Will only work on an
AeroCheck+ with
lead ALL12-L07-007-
CON



NIST Conductivity Probe Kit to fit WeldCheck+ – AeroCheck+:

(Please note that this kit only works on a WeldCheck+ and AeroCheck+)

| ETHer NDE Part No. | Description |
|---|--|
| Kit Part Number: KACON001 - KIT, Conductivity Inspection - NIST - Std Dia 13mm Probe (To fit AeroCheck Plus) | |
| Includes: | |
| PCON001 | Probe, Conductivity, 60kHz, Dia 13.00mm, Straight, Lemo 7-Way (AeroCheck Plus) |
| ASIG014 | Accessory, Dual Conductivity Reference Standards, Nominal Values 9% and 59% IACS (SigmaCheck) NIST VALUES |
| ALL12-L07-012-CON | Accessory, Lead, 12-Way Lemo to 7-Way Lemo, 1.2m, Conductivity (To fit AeroCheck Plus Conductivity Probe) |
| 40516 | SKIRT - Conductivity Probe (AeroCheck Plus) |
| B3061S | SCREW - M3 THUMB SCREW |
| 40517 | REFERENCE HOLDER - Dual Conductivity Standard (Thermal Bridge for Stability) |
| APCON001 | QUICK REFERENCE CARD - GUIDE TO USING CONDUCTIVITY PROBE PCON001 |

NPL Conductivity Probe Kit to fit WeldCheck+ – AeroCheck+:

(Please note that this kit only works on a WeldCheck+ and AeroCheck+)

| ETHer NDE Part No. | Description |
|---|---|
| Kit Part Number: KACON002 - KIT, Conductivity Inspection - NPL - Std Dia 13mm Probe (To fit AeroCheck Plus) | |
| Includes: | |
| PCON001 | Probe, Conductivity, 60kHz, Dia 13.00mm, Straight, Lemo 7-Way (AeroCheck Plus) |
| ASIG015 | Accessory, Dual Conductivity Reference Standards, Nominal Values 9% and 59% IACS (SigmaCheck) NPL VALUES |
| ALL12-L07-012-CON | Accessory, Lead, 12-Way Lemo to 7-Way Lemo, 1.2m, Conductivity (To fit AeroCheck Plus Conductivity Probe) |
| 40516 | SKIRT - Conductivity Probe (AeroCheck Plus) |
| B3061S | SCREW - M3 THUMB SCREW |
| 40517 | REFERENCE HOLDER - Dual Conductivity Standard (Thermal Bridge for Stability) |
| APCON001 | QUICK REFERENCE CARD - GUIDE TO USING CONDUCTIVITY PROBE PCON001 |

ETher NDE Eddy Current Product Range and Features Explained

| Instrument | Kit Part Number | Frequency | Guides | Live Loop & Trace | Protective Boot & Integrated Strap | Record and replay of up to 2.5 minutes of data | 32GB of removable Data Storage | Automatic Lift-Off Gain Compensation | C-Scan Capability | Motorised scanner control | Rotary | Conductivity | Bondtesting (Pitch Catch) |
|------------|-----------------|-----------|--------|-------------------|------------------------------------|--|--------------------------------|--------------------------------------|-------------------|---------------------------|--------|--------------|---------------------------|
| WeldCheck2 | KIWEL003 | Single | ✓ | ✓ | ✓ | ✓ | ✓ | | | | | | |
| WeldCheck+ | KIWEL002 | Dual | ✓ | ✓ | ✓ | ✓ | ✓ | ✓ | | | | ✓ | |
| AeroCheck2 | KIAER003 | Single | ✓ | ✓ | ✓ | ✓ | ✓ | | | | ✓ | | |
| AeroCheck+ | KIAER002 | Dual | ✓ | ✓ | ✓ | ✓ | ✓ | | | | | ✓ | |
| ETHerCheck | KIETH001 | Dual | ✓ | ✓ | ✓ | ✓ | ✓ | | | | ✓ | ✓ | ✓ |
| PhaseCheck | KIPHAS001 | Dual | ✓ | ✓ | ✓ | ✓ | ✓ | | ✓ | ✓ | ✓ | ✓ | |

Guides – allows the user to display a slide show that can be created easily with commonly used desktop software. The benefit of this feature is that instructions, tutorials and procedures for an inspection can be added to the instrument very quickly and the NDT inspector can easily switch between the inspection itself and the “Guides” while performing a live test.

Loop - is a convenient way of capturing a short live repetitive signal and then optimizing the instrument settings through real time adjustments of the Phase, Gain, Balance, Filters and Display Configuration in order to simplify the task of optimising the parameters. The “Loop” function is excellent for calibration set up especially for setting the filters for Rotary and Dual Frequency mix.

Trace - The trace function allows a reference waveform to be stored on the screen and appears along with the graticule behind the live spot. This allows the operator to readily compare the live data with the reference calibration.

Protective Boot & Integrated Strap – has enhanced durability through a fully-fitted, custom-designed outer “protective boot” and integral hand-strap for even greater ruggedness and easier grip.





Auto Lift-Off Gain Compensation – Feature to add automatic paint thickness compensation using absolute and bridge mode simultaneously on the weld probe.

Removable Storage – microSD 2GB (500 saved settings, 500 screen shots) microSD 32GB (10,000 saved settings, 10, 000 screen shots).

C-Scan and Motorised Scanner control – The PhaseCheck offers 2 axis incremental encoder input and USB scanner control. This means that C-Scan Images can be recorded and the XY data stored for the image for post-test analysis.

Splash Case - Please note that the splash case for the new WeldCheck2, WeldCheck+, AeroCheck2, AeroCheck+ needs to be AAER004.

Also Available

-  Pencil Probes - Shielded Metal Handle
-  Turbine Blade Inspection Probes
-  Differential Scanning Probes
-  Special Probes

Special Probe Design Check List

1. Customer

Name

Company

Address

Email

Phone

2. Flaw to be detected

Flaw type

Material

Conductivity

Thickness

 Mm

Magnetic

| | |
|-----|----|
| Yes | No |
|-----|----|

Test

| | |
|---------|-------------|
| Surface | Sub-surface |
|---------|-------------|

Flaw Orientation

| | | |
|--------|--------------|------------|
| Random | Longitudinal | Transverse |
|--------|--------------|------------|

Surface condition

| | | | | | | |
|--------|-------|----------|---------|-----------|----------|--|
| Ground | Drawn | Machined | As cast | Roughness | Other >> | |
|--------|-------|----------|---------|-----------|----------|--|

Defect Length

 mm

Defect Depth

 mm

Defect width

 mm

Depth of penetration

 mm

3. Instrument to be used

4. Probe type

Details of similar probe used

Changes Required

Operation Mode

| | | | |
|----------|--------------|--------|------------|
| Absolute | Differential | Bridge | Reflection |
|----------|--------------|--------|------------|

Mode of use

| | | | | | | |
|---------|-------------|----|------|--------|----------|--|
| Surface | ID (Bobbin) | OD | Weld | Saddle | Other >> | |
|---------|-------------|----|------|--------|----------|--|

Detection width

 mm

Area to be inspected

Attach/Sketch drawing

Access Limitations

Attach/Sketch drawing

Adverse test environment

Temperature

C

Surface condition

| | | | | |
|---------|-----------|------------|----------|----------------------|
| Painted | Corrosion | Grease/Oil | Other >> | <input type="text"/> |
|---------|-----------|------------|----------|----------------------|

Sample components available

| | |
|-----|----|
| Yes | No |
|-----|----|

With flaws

| |
|-----|
| Yes |
|-----|

| |
|----|
| No |
|----|


Without flaws

| |
|-----|
| Yes |
|-----|

| |
|----|
| No |
|----|

Available from;

ETHer NDE,
Endeavour House,
18 Brick Knoll Park,
Ashley Road,
St Albans,
Hertfordshire,
AL1 5UG.
UK

 +44 1582 767 912

 sales@ethernde.com

 www.ethernde.com